

GE Healthcare

Signa HDx 1.5T Series  
Field Replaceable Units (FRU)

Technical Publication

© 2006 – 2011 General Electric Company  
GE Medical Systems, a General Electric Company, going to market as GE Healthcare  
3000 N. Grandview Boulevard  
Waukesha, Wisconsin 53188  
USA

[www.gehealthcare.com](http://www.gehealthcare.com)



5166012  
Rev 14

**COVER  
BOTTOM  
CROP LINE**

**COVER  
BOTTOM  
CROP LINE**

**COVER  
LEFT  
CROP LINE**

**COVER  
FOLD  
LINE** | **(2) CENTER STAPLES  
FOR BINDING**

**COVER  
RIGHT  
CROP LINE**

**5/16" RADIUS  
CORNER TRIM  
TYPICAL**

**5/16" RADIUS  
CORNER TRIM  
TYPICAL**



**SEND COMMENTS ABOUT THIS MANUAL TO:**

GE MEDICAL SYSTEMS  
MANAGER, SERVICE ENGINEERING  
W-808  
3200 N. GRANDVIEW BLVD.  
WAUKESHA, WISCONSIN 53188  
USA

This manual belongs to:

---

---

---

---

## INTRODUCTION TO FIELD REPLACEABLE UNIT (FRU)

This direction is a guide to the FRU's for HDxt, HDx, HDi, and Vibrant.

Parts designated as a FRU are critical to maintain the safety and/or functionality of the system. FRU's are available on a Priority 1 basis from Service Parts Operation.

As a reference aid, the FRU's are listed under an upper-level part number where they are used. In most cases the upper-level part number is not a FRU. In some cases the parts listed under an upper-level assembly may have been nested in intermediate sub-assemblies which are not shown.

Where possible, FRU's which are part of Option Catalogs are shown under the area where they would be installed, rather than being listed in the Coils or Options Sections (SEE TABLE OF CONTENTS).

### LIST OF EFFECTIVE PAGES

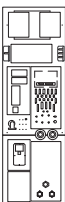
<u>PAGE</u>	<u>REV</u>	<u>PAGE</u>	<u>REV</u>	<u>PAGE</u>	<u>REV</u>
Cover Page	. 14	23	..... 11	31	..... 11
1 to 3	..... 14	24	..... 14	32 to 39	..... 13
4 to 8	..... 11	25	..... 12	40 to 42	..... 11
9	..... 14	26	..... 14	43 to 48	..... 7
10 to 21	..... 11	27 to 28	..... 11	49 to 58	..... 11
22	..... 14	29 to 30	..... 14	59 to 64	..... 14

TITLE	PAGE
INTRODUCTION, LIST OF EFFECTIVE PAGES .....	1
TABLE OF CONTENTS .....	2
PICTORIAL TABLE OF CONTENTS .....	3
MAGNET AND ENCLOSURE (ASSEMBLIES)	
BRM & TRM LIST (OF PARTS NOT SHOWN) .....	5
FRONT COVER, REAR END BELL .....	6
ENCLOSURE & VACUUM RELATED PARTS .....	7
FRONT & REAR ENDBELL, BRIDGE SUPPORT .....	7
REAR PEDESTAL PARTS .....	8, 9
SPLIT BRIDGE & DOCKING PARTS .....	10
LPCA .....	11
SRI/PAC & TOUCH-UP PAINTS .....	12
MONITORS, MRU, & TRANSFORMER .....	13
HDx MAGNET ENCLOSURE .....	14
HDx BRIDGE PARTS .....	16
HDx LPCA .....	17
CHILLER .....	18
PATIENT SUPPORT TABLE .....	20, 21
PENETRATION PANEL .....	22
OPERATOR WORKSPACE .....	24
GOC COMPUTER CABINET, SCIM AND KEYBOARD .....	25
MAIN DISCONNECT PANEL .....	28
HFD-S/PDU CABINET .....	29
HFD/PDU CABINET .....	30
RFS CABINET .....	32, 33, 34
SYSTEM CABINET .....	35
CAM, MGD, RRF, & ASC MODULES .....	36, 37, 38, 39, 40
HDx 32 CHANNEL CABINET (OPTION) .....	41
SRFD CABINET .....	43
SRFD2 CABINET .....	44
TWIN ACCESSORY CABINET (TAC) .....	45, 46, 47
REPLACEMENT CABLES .....	49, 50
SERVICE TOOLS .....	51
UNIFIED SURFACE COIL PHANTOM SET .....	52
TOOLS, REPAIR KITS, AND HEAD COILS .....	53
COILS .....	54 THRU 59
OPTIONS .....	60
SOFTWARE OPTION KEYS .....	61
BrainWave OPTIONS .....	62
REVISION HISTORY .....	63

INTRO TO FRU'S PAGE 1  
 MONITORS PAGE 13  
 CHILLER PARTS PAGE 18  
 CABLES PAGE 49  
 COILS PAGE 55  
 OPTIONS PAGE 60  
 S/W OPTIONS PAGE 61  
 BrainWave PAGE 62



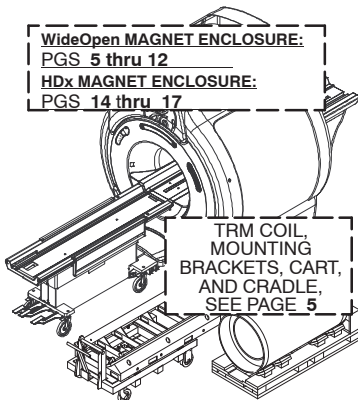
PATIENT AIR SUPPLY  
 BLOWER CABINET (MG6)  
 PAGE 9



PENETRATION  
 PANEL  
 PAGE 22

PATIENT  
 SUPPORT  
 TABLE  
 PAGE 20

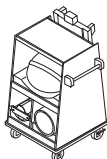
WideOpen MAGNET ENCLOSURE:  
 PGS 5 thru 12  
 HDx MAGNET ENCLOSURE:  
 PGS 14 thru 17



TRM COIL,  
 MOUNTING  
 BRACKETS, CART,  
 AND CRADLE,  
 SEE PAGE 5

**MAGNET ROOM**

**OPERATOR/EQUIPMENT ROOM**



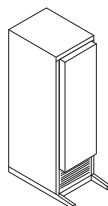
SERVICE TOOLS  
 PAGE 51



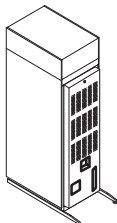
OPERATOR  
 WORKSPACE  
 PAGES 24 & 25



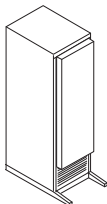
MAIN  
 DISCONNECT  
 PANEL  
 PAGE 28



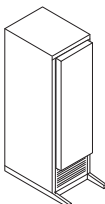
32 CHANNEL  
 CABINET  
 PAGE 41



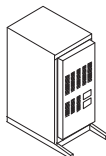
HFD-S/PDU  
 PAGE 29  
 HFD/PDU  
 PAGE 30



RFS CABINET  
 PAGE 32 to 34  
 SYSTEM CABINET  
 PAGE 35



SRF CABINET  
 PAGE 43  
 SRFD2 CABINET  
 PAGE 44



ACCESSORY  
 CABINET  
 PAGES 45  
 THRU 47

**PICTORIAL TABLE OF CONTENTS**



NOTE: The following WideOpen & TwinSpeed common parts **Not Shown**:

5123812	BORE TEMPERATURE SENSOR, RUN 1260
5123813	OPERATOR DISPLAY CABLE TO SRI-3, RUN 1261
5133997	LIQ KIT, contains: BRIDGE SUPPORT FOR LCC MAGNET ENCLOSURES BRIDGE SUPPORT FOR S-SERIES MAGNET ENCLOSURES RADIAL SUPPORTS FOR ALL MAGNETS
5184777	RF SHIELD GROUNDING KIT
2324086-2	5 GALLON PAIL w/ETHYLENE GLYCOL WARNING LABEL

NOTE: The BRM parts **Not Shown**:

2379255	FOAM, GRAY, 116" LG. (Inserted between BRM and bore)
2297672	GLYCOL, 1 GALLON/3.8 LITERS
2124499-5	GRAD COIL LCC ONE-PIECE SHIELD
2144093-3	BRM GRADIENT COIL W/CART & CRADLE (Cx & S-series)
2144093-5	BRM-D GRADIENT COIL W/CART & CRADLE (LCC)
2241521	SPLICE KIT GRADIENT COIL SPLICE KIT
5110336	BRM GRADIENT CABLE LEAD BOARD KIT
5127441-2	GRADIENT CABLE CLAMP BLOCK KIT
2208999-3	SHORT RF COIL & CASE (Order for RF COIL Replacement-LCC)
2208999-6	LONG RF COIL & CASE (Order for RF COIL Replacement-Cx & S-series)
2208999-10	HDx new color SHORT RF COIL & Yellow/Black CASE (Order for RF COIL Replacement-LCC)
5113879*	RF SHIELD FOR BRM COIL

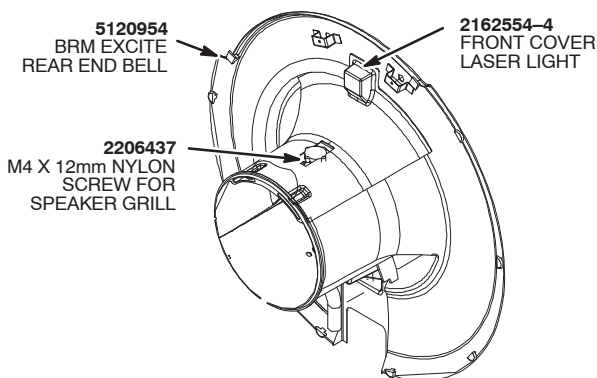
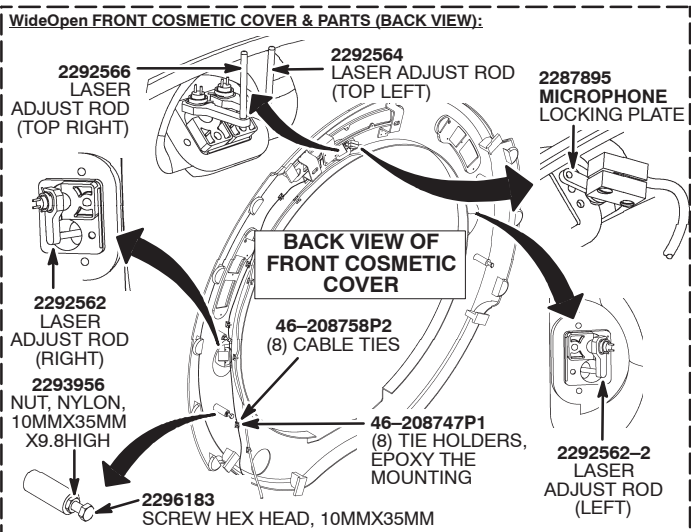
NOTE: The following TwinSpeed 1.5T FIXED W/TRM & Enclosure related parts **Not Shown**;  
MISCELLANEOUS:

2297760	VACUUM GREASE, MSDS# 8366442
2203803	SPLIT O-RING
2242756	RELIEF VALVE, 3/8 NPT X 7 PSIG, GEN
2299843	MAGNET PRESSURE TRANSDUCER, SUNX DP2-41N
46-294231G1	MAGNET RUNDOWN UNIT
46-294231P1	BUSSMAN, F1, 110VAC .400 GDC

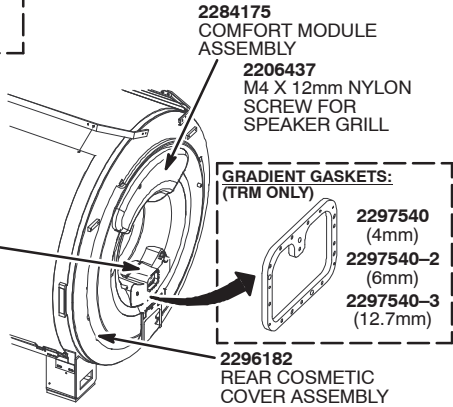
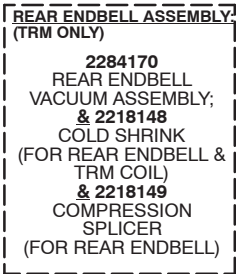
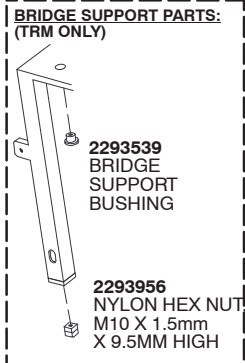
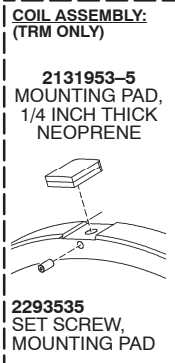
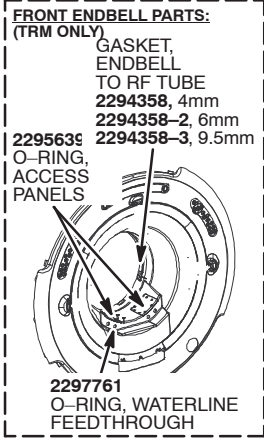
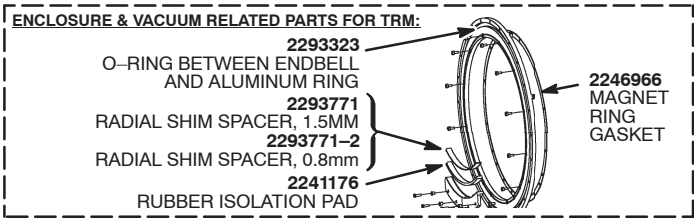
TRM:

5113878*	RF SHIELD & FRU CONTAINER FOR TRM COIL
2144093-7	TRM WITH MOUNTING BRACKETS, CART, AND CRADLE
2144093-9	TRM WITH MOUNTING BRACKETS, CART, AND CRADLE
2218148	COLD SHRINK (FOR REAR ENDBELL AND TRM COIL)
2208999-8	RF BODY COIL AND CASE
2208999-11	HDx new color Twin Body SHORT RF COIL & Silver/Black CASE (Order for RF COIL Replacement-LCC)
2297672	GLYCOL, 1 GALLON/3.8 LITERS
2299498	COOLING CIRCUIT REPAIR KIT
2303520	DIODE SLOT BOARD
5127441	GRADIENT CABLE CLAMP BLOCK KIT
2293612	MALE CONNECTOR 3/4" HOSE TO 3/4" NPT

\*2389049 RF Shield Change Out Kit – MUST be ordered for the RF Shield replacement

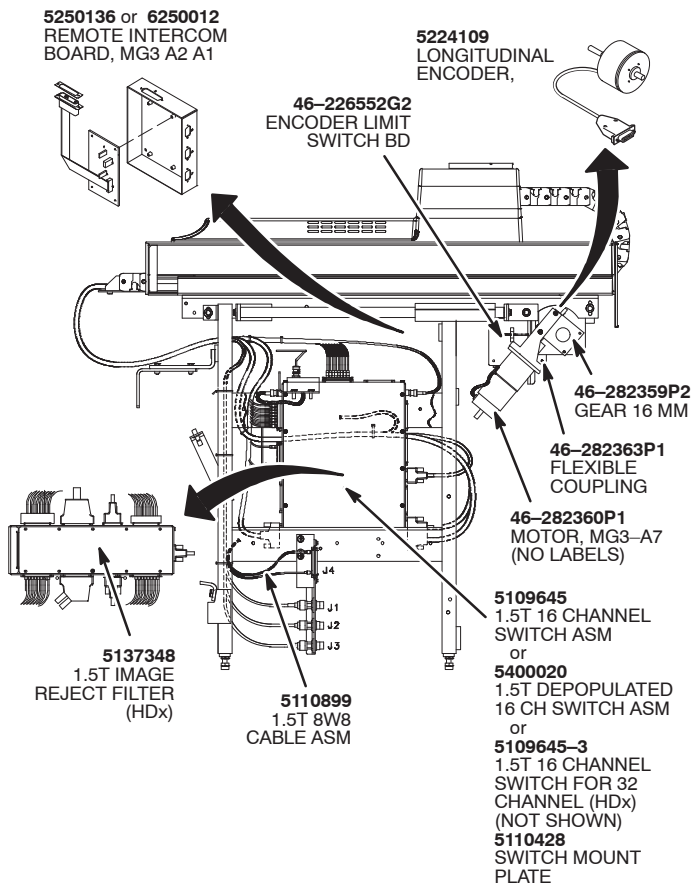


**6 MAGNET AND ENCLOSURE (ASSEMBLIES)**



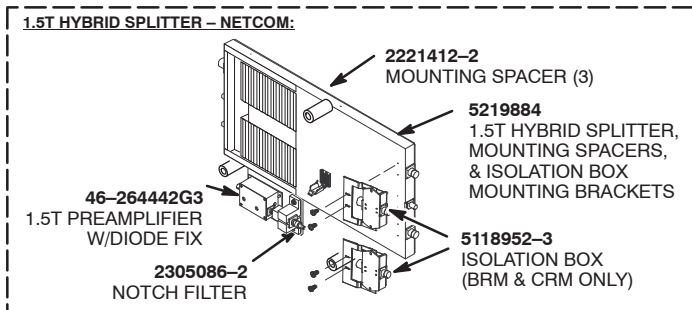
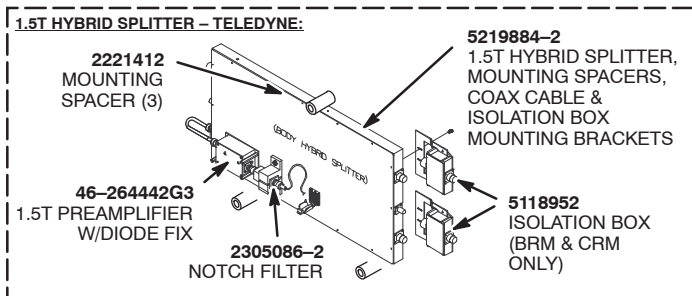
**REAR PEDESTAL**

**Note:** See next page for Hybrid Splitter information

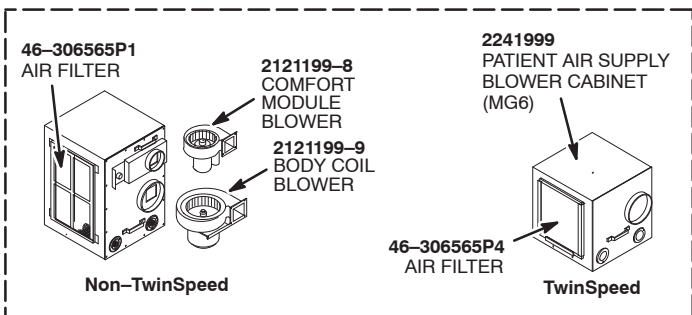


**8 MAGNET AND ENCLOSURE (ASSEMBLIES)**

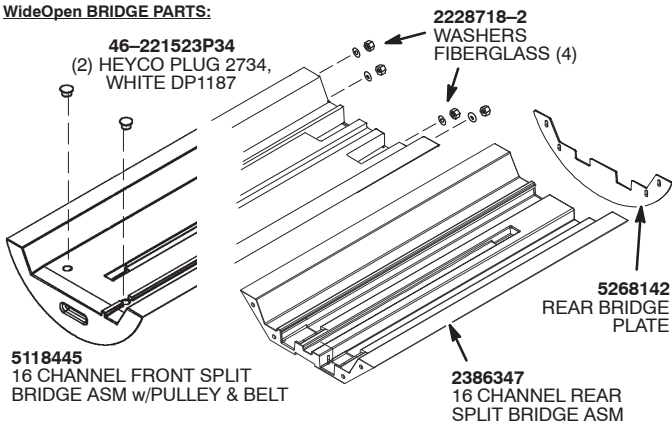
**REAR PEDESTAL**



**BLOWER CABINET**



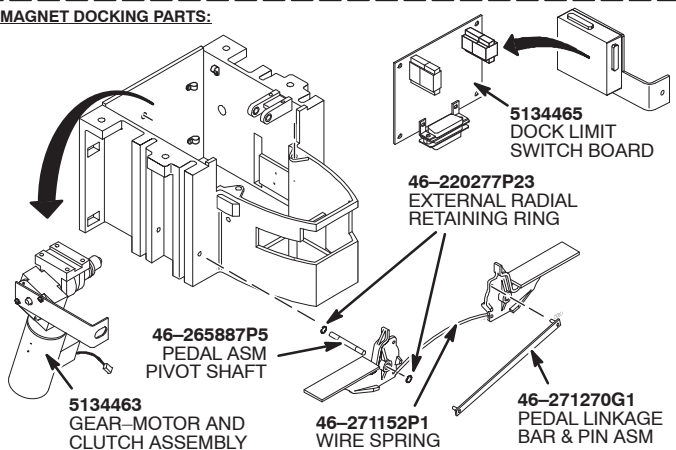
**WideOpen BRIDGE PARTS:**



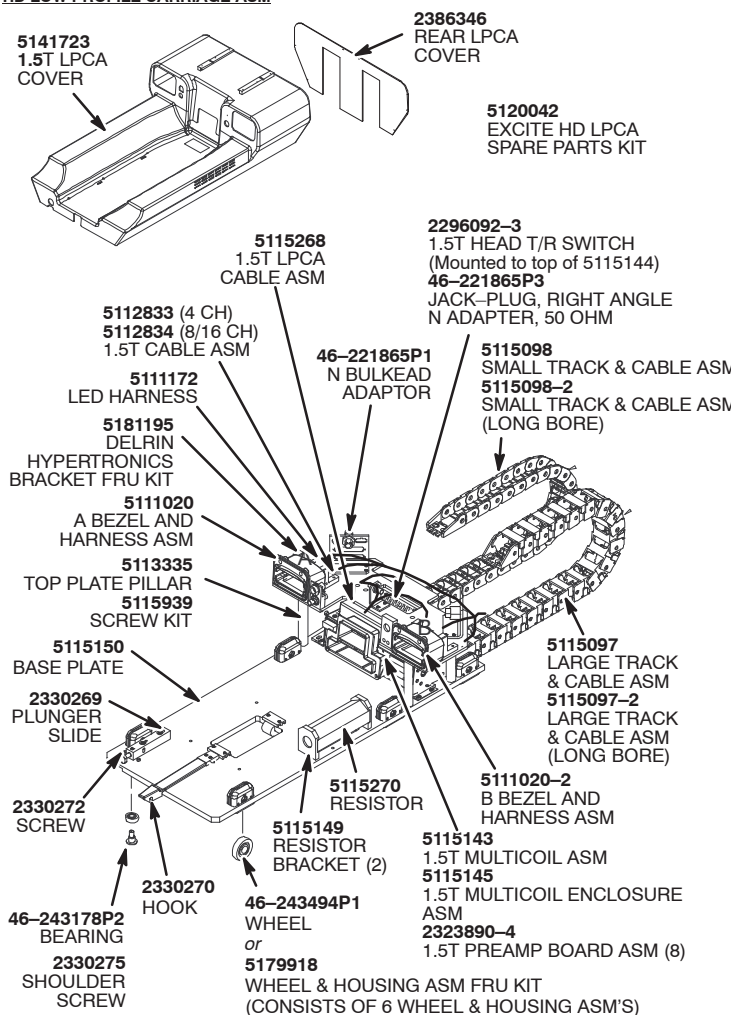
**NOTE: The following part is Not Shown.**

2386348	FRONT BRIDGE FIBERGLASS
5117304	FRONT BRIDGE PULLEY ASM
2293538	BRIDGE EDGE FOAM
46-282436P1	CARRIAGE TRAVEL SENSOR FLAG

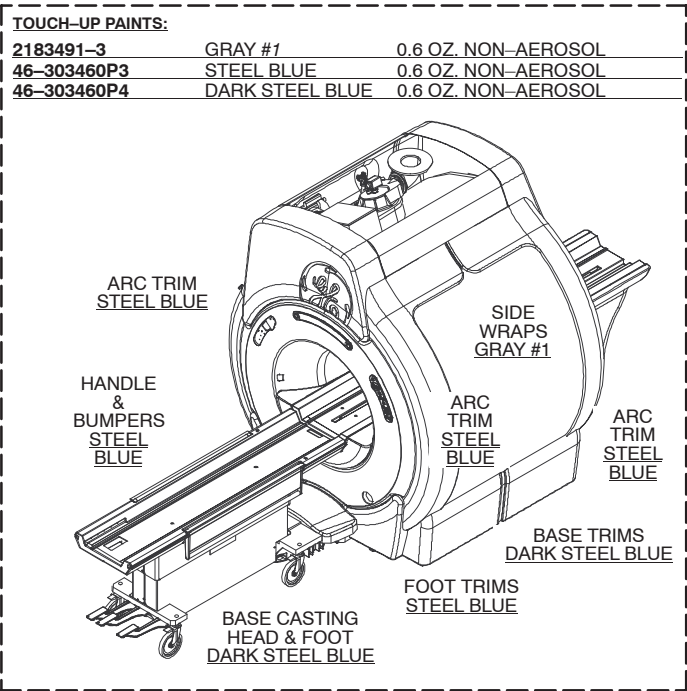
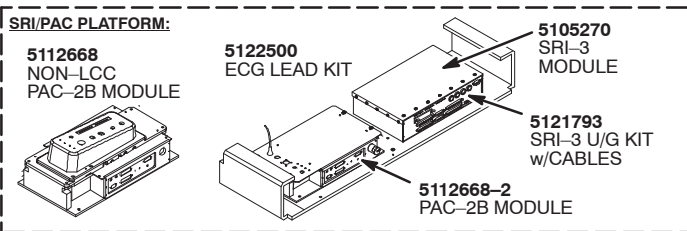
**MAGNET DOCKING PARTS:**



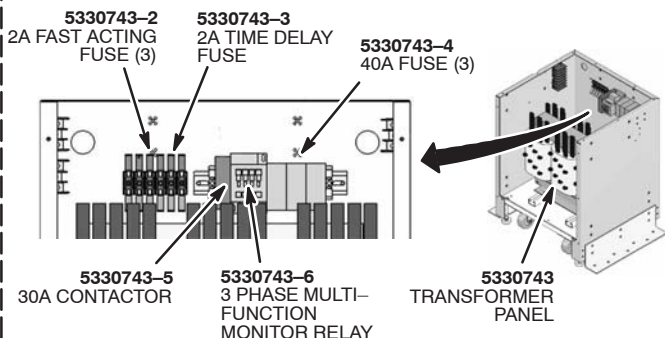
**HD LOW PROFILE CARRIAGE ASM**



**MAGNET AND ENCLOSURE (ASSEMBLIES)**



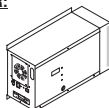
**NOTE:** To obtain enclosure part numbers not found in this manual, refer to Direction 2138247, *Signa Illustrated Parts List*, for enclosure covers, endbells, and other parts.

**CRYOGEN PANEL STEP-DOWN TRANSFORMER FRU'S:****MAGNET RUNDOWN UNIT (MRU) FRU'S:**

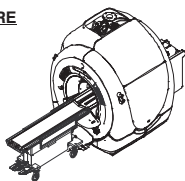
<b>5196918</b>	<b>MAGNET RUNDOWN UNIT (Primary)</b>
<b>5196919</b>	<b>MAGNET RUNDOWN UNIT (Remote)</b>
<b>5363631</b>	SPARE FUSE KIT includes: 1.25A, 250V Fuse; 2.5A, 250V Fuse; 400ma, 120V Fuse; 200ma, 250V fuse
<b>5199490</b>	BATTERY PACK ASM
<b>5180324</b>	ADAPTER PLATE
<b>5196921</b>	REMOTE TO PEN PANEL CABLE
<b>5196920</b>	PRIMARY TO PEN PANEL CABLE
<b>2128699</b>	MAGNET TO MRU CABLE (Run 606)

**OXYGEN MONITOR (O2) FRU'S:**

<b>5390676</b>	OXYGEN MONITOR FRU – Contains all of the parts included with the O2 monitor, box, sensor and cables
<b>5399042</b>	OXYGEN MONITOR CALIBRATION KIT – Contains all of the parts needed to calibrate either the nw or old O2 monitor
<b>5390678-3</b>	REMOTE 5-YEAR SENSOR – Sensor for the ISA-60M O2 monitor

**MAGNET MONITOR:**

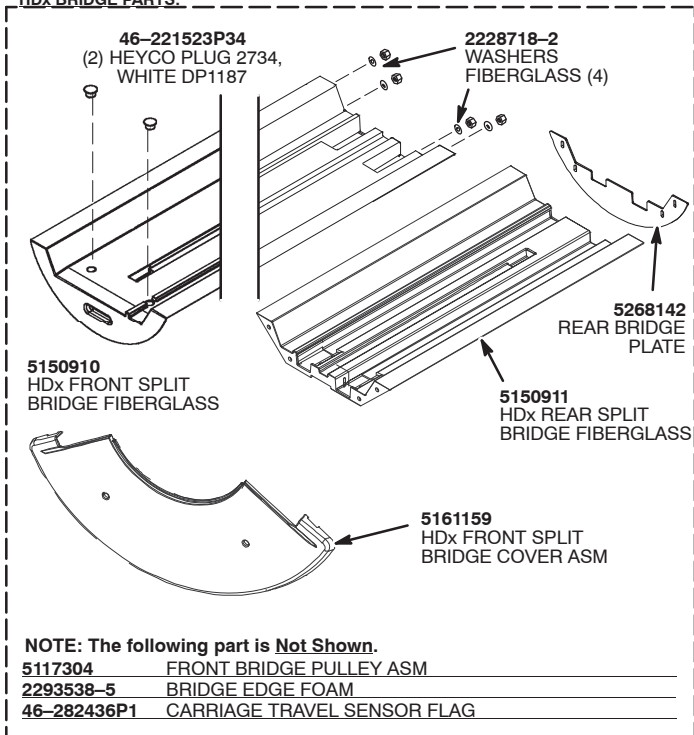
**2219400**  
MAGNET MONITOR (MSM)

**HDx MAGNET ENCLOSURE**

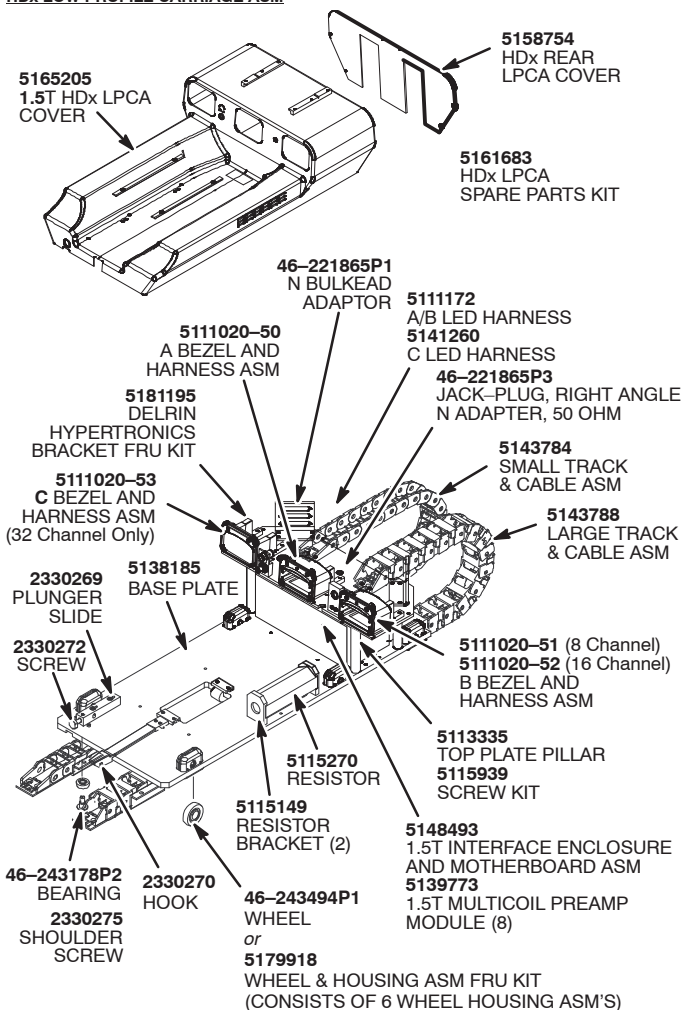
<b>BRM SPECIFIC HDx ENCLOSURE PARTS</b>	
5142289	Gradient Cable Lead Board BRM
5142288	Gradient Cable Lead Board Cover BRM
5160993	Front End Bell BRM Assembly
5160995	Rear End Bell BRM Assembly
5161267	Feed Thru Cover Plate, Rear End Bell BRM
5143732	Rear Cover Assembly, 1.5T BRM
5142278	Rear Turtle Arm BRM
5142278-2	Rear Turtle Arm with Notch BRM
5161263	Turtle Bracket Gasket BRM
2222549	BRM Lumitex Light Panel, 726mm
<b>TRM SPECIFIC HDx ENCLOSURE PARTS</b>	
5161262	Turtle Bracket Gasket TRM
5150552	Rear Turtle Arm, TRM Single Boss
5150552-2	Rear Turtle Arm, TRM Double Boss
5150552-3	Rear Turtle Arm, TRM Single Boss with Relief Cut
5160997	Front End Bell TRM Assembly
5160999	Filler Cover Left, Front End Bell TRM
5160999-2	Filler Cover Right, Front End Bell TRM
5161000	Rear End Bell TRM Assembly
5161003	Filler Cover Left, Rear End Bell TRM
5161003-2	Filler Cover Right, Rear End Bell TRM
5143732-2	Rear Cover Assembly, TRM
5146696	TRM Comfort Module Assembly
2222549-4	Twin Lumitex Light Panel, 1085mm
<b>Vibrant SPECIFIC HDx ENCLOSURE PARTS</b>	
46-271407G4	Door Pedal Assembly with Bearings
5151727-2	Front Right Skirt Cover Assembly Vibrant
5151729-2	Front Left Skirt Cover Assembly Vibrant
5151731-2	Rear Right Skirt Cover Assembly Vibrant
5151732-2	Rear Left Skirt Cover Assembly Vibrant
5309702	Vibrant Front Right Arc Cover Assembly with Graphic
5309703	Vibrant Front Left Arc Cover Assembly with Graphic
5309704	Vibrant Rear Right Arc Cover Assembly with Graphic
5309705	Vibrant Rear Left Arc Cover Assembly with Graphic

<b>BRM &amp; TRM COMMON HDx ENCLOSURE PARTS</b>	
5164786	HDx Enclosure Hardware Spares Kit
5151721	Front Right Arc Cover Assembly
5151722	Front Left Arc Cover Assembly
5151723	Rear Right Arc Cover Assembly
5151725	Rear Left Arc Cover Assembly
5151718-2	Right Side Top Cover, White
5151771-2	Right Side Bottom Cover, White
5161378-2	Right Latch Hook
5151720-2	Left Side Bottom Cover, White
5161378	Left Latch Hook
5151734-2	Left Side Top Cover, White
5151729	Front Left Skirt Cover
5151727	Front Right Skirt Cover
5151731	Rear Right Skirt Cover
5151732	Rear Left Skirt Cover
5143554	Left Rear Pedestal Cover
5143555	Right Rear Pedestal Cover
2215716-51	Center Display Panel With Overlay
2215716-10	Center Display Panel
2215716-60	Left Control Panel with all Overlays
2215716-11	Left Control Panel
2215716-70	Right Control Panel with all Overlays
2215716-12	Right Control Panel
5160276	Bracket I and Q Lines
5150097	Turtle Bracket Front Arm
5160991	Dock Bracket Assembly
5150410	Front Trim Ring Assembly
5150411	Rear Trim Ring Assembly
5143642	Front Cover Assembly
5141500	Microphone Block and Cable Assembly
5142985	Vacuum Port Cover Assembly
5149066	Remote PAC Base
5149068	Remote PAC Inner Mounting Tray
5149065	Remote PAC Accessory Hook
2344509-2	Bore Light End Cap
5160206	Side Cover Mounting Bracket Assembly RH
5160206-2	Side Cover Mounting Bracket Assembly LH
5160992	Rear Bracket Assembly, Left
5160992-2	Rear Bracket Assembly, Right
2206437	M4 x 12mm Nylon Screw for Speaker Grill

**HDx BRIDGE PARTS:**



**HDx LOW PROFILE CARRIAGE ASM**

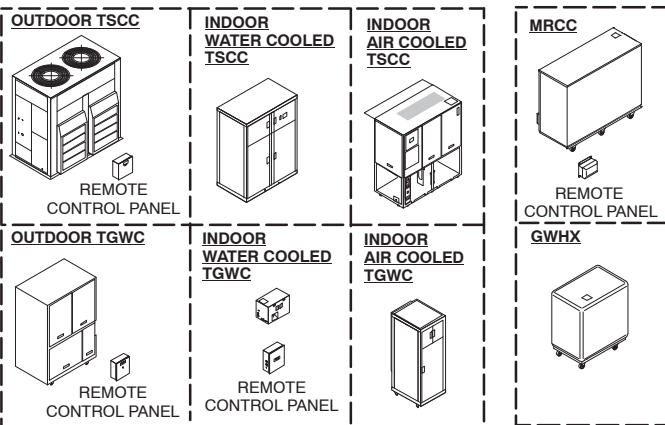


**MAGNET AND ENCLOSURE (ASSEMBLIES)**

**SYSTEM COOLING CABINETS:**

REFER TO ELLIS & WATTS SERVICE MANUALS FOR FRU INFORMATION

REFER TO AIRSYS SERVICE MANUALS FOR FRU INFORMATION



2343325	AIRSYS HEAT EXCHANGER (GWHX)
2341077-2	AIRSYS QUICK DISCONNECT KIT
2341077-3	AIRSYS REMOTE CONTROL PANEL
2230235	E & W MODEL LTL-4 MOBILE HEAT EXCHANGER
2230235-3	E & W PUMP/MOTOR SET
2230235-12	E & W LEVEL SWITCH
2230235-24	QUICK-DISCONNECT FACILITY
2230235-25	QUICK-DISCONNECT COIL
2298100-4	E & W MODEL LTL10 HEAT EXCHANGER CABINET
2298100-5	CONTROL PANEL FOR LTL10 ONLY
2297672	GLYCOL USED WITH E & W OR AIRSYS

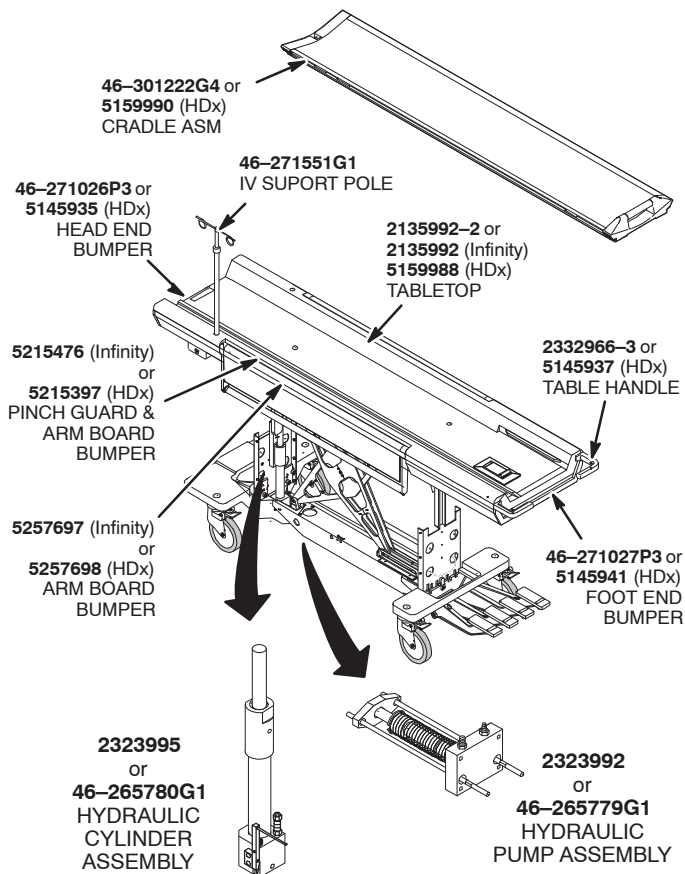
**NOTE: The following parts are Not Shown.**

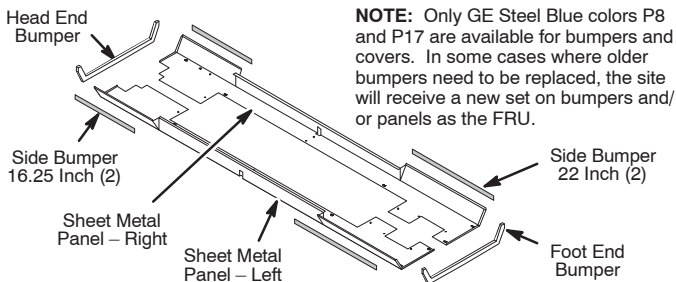
2222564-22	LYTRON CHILLER, 50Hz OR 60Hz
2222564-23	LYTRON CIRCUIT BREAKER
2222564-24	LYTRON PUMP
2222564-25	LYTRON MOTOR
2222564-26	LYTRON KEY PAD
2222564-27	LYTRON FLOW SWITCH
2222564-28	LYTRON HOSE FITTINGS
2222564-29	LYTRON PUMP with NYLON COUPLING
2222564-31	LYTRON NYLON MOTOR COUPLING
2260427	COOLANT (1 GALLON) (LYTRON ONLY)



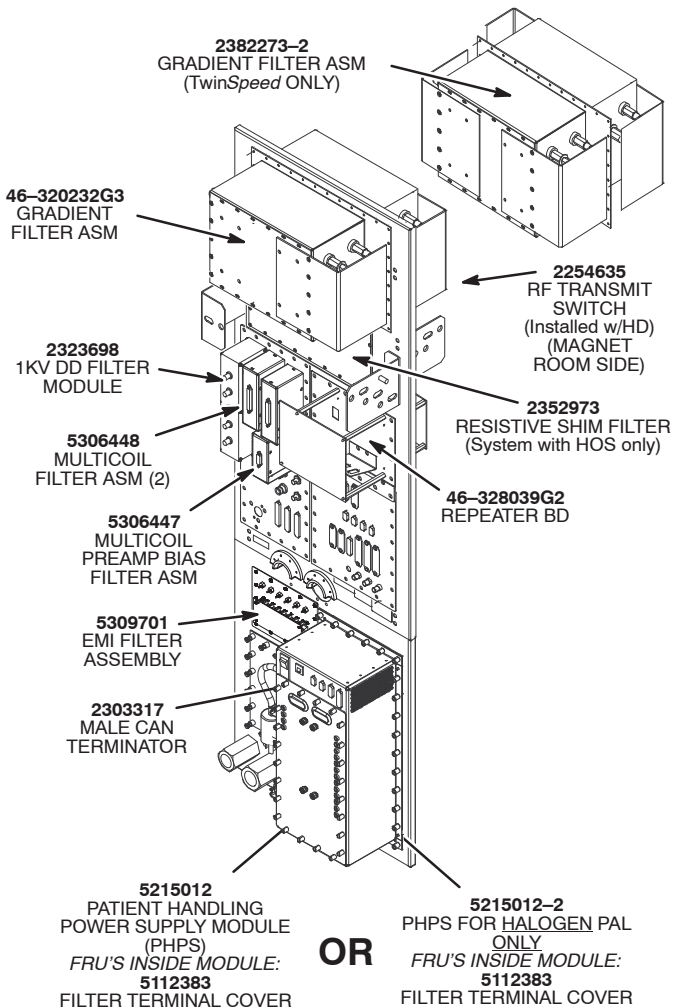
**PATIENT TABLE – INFINITY and HDx**

**NOTE:** Refer to page 21 for information on bumper FRU's for HDx, Infinity, and Pre-Infinity patient tables.

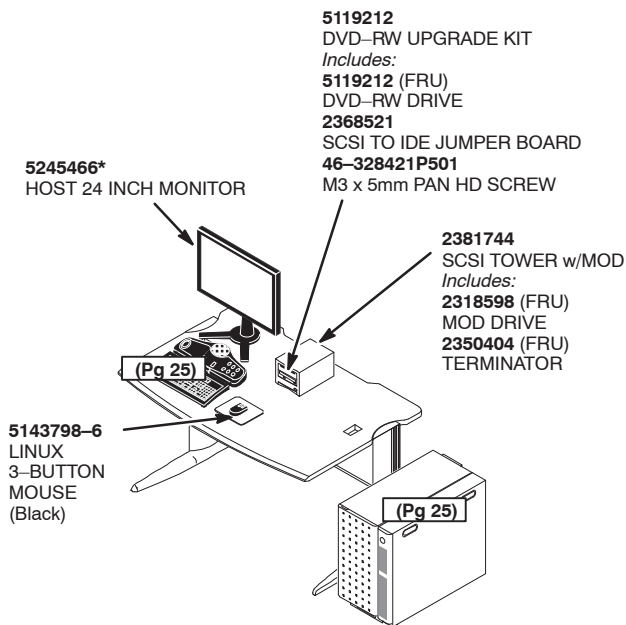


**PATIENT TABLE – BUMPERS AND PANELS**

HDx EXISTING PART	HDx REPLACEMENT FRU
5145946, Panel – Left 5145947, Panel – Right	<b>5179590</b> , New panels and side bumpers FRU kit for HDx table
5145939, 22 Side Bumper	<b>5161172</b> , Side Bumper 22, Color P17
5145939-2, 16.25 Side Bumper	<b>5161172-2</b> , Side Bumper 16.25, P17
5145941, Foot End Bumper	<b>5145941</b> , Foot End Bumper
5145935, Head End Bumper	<b>5145935</b> , Head End Bumper
INFINITY EXISTING PART	INFINITY REPLACEMENT FRU
46-271022G1, 2393106, Panel – Left 46-271021G1, 2393106-2, Panel – Right	<b>5179706</b> , New panels and side bumpers FRU kit for Infinity table
5154908-4, Panel – Left 5154908-3, Panel – Right	<b>5179706</b> , New panels and side bumpers FRU kit for Infinity table
46-271025P5, 22 Side Bumper	<b>5161172-3</b> , Side Bumper 22, Color P17
46-271025P6, 16.25 Side Bumper	<b>5161172-4</b> , Side Bumper 22, Color P17
46-271027P3, Foot End Bumper	<b>46-271027P3</b> , Foot End Bumper
46-271026P3, Head End Bumper	<b>46-271026P3</b> , Head End Bumper
Pre-INFINITY EXISTING PART	Pre-INFINITY REPLACEMENT FRU
5154908-4, Panel – Left (Grey) 5154908-3, Panel – Right (Grey)	<b>5179706</b> , New panels and side bumpers FRU kit for Infinity table
22 Side Bumper (Accent Grey or Blue)	<b>5161172-3</b> , Side Bumper 22, Color P8
16.25 Side Bumper (Accent Grey or Blue)	<b>5161172-4</b> , Side Bumper 16.25, Color P8
Foot End Bumper (Accent Grey or Blue)	<b>46-271027P3</b> , Foot End Bumper
Head End Bumper (Accent Grey or Blue)	<b>46-271026P3</b> , Head End Bumper





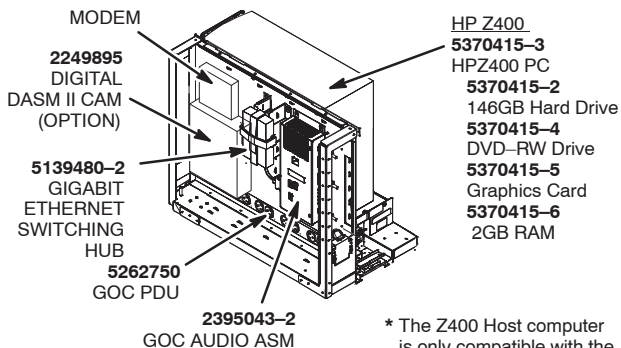
**OPERATOR WORKSPACE – HDxt**

\* When ordering a monitor replacement, be aware that models may be updated without notice.

**NOTE: The following parts are Not Shown.**

<b>2156158-73</b>	S/W COLLECTOR FOR 15.0 M4
<b>2156158-82</b>	S/W COLLECTOR FOR 15.0 M4A
<b>2156158-84</b>	S/W COLLECTOR FOR 15.0 M4B
<b>2156158-86</b>	S/W COLLECTOR FOR 16.0 M3
<b>2156158-89</b>	S/W COLLECTOR FOR 16.0v2
<b>2156158-91</b>	S/W COLLECTOR FOR HD23.0
<b>2389540</b>	SCAN TOOLS MOD

**GOC COMPUTER CABINET WITH HP Z400:**

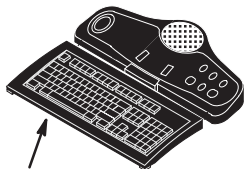


\* The Z400 Host computer is only compatible with the 15M4B software or higher.

**NOTE: The following parts are Not Shown.**

- 5373029** Cable FRU kit for GOC contains:  
Run E3016, Run E3046, Run E3047, Run E3048, Host to IRDC DVI-D cable, Host to IRDC USB cable, IRDC Power cable
- 5376172** Dust Filter FRU Kit for Z400
- 5364704** One Wire Collector for Z400

**SCIM & KEYBOARD:**



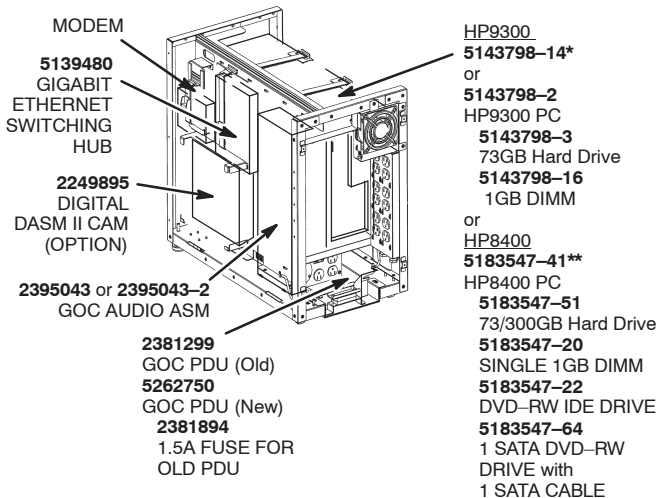
**NOTE:**

If Keyboard is to be replaced, also order **46-317475P2**, 2 inch x 4 inch adhesive backed velcro to attach to bottom of new keyboard.

- KEYBOARDS ONLY:**
- 5143798-7** (English)
  - 5143798-8** (French)
  - 5143798-9** (German)
  - 5143798-10** (Spanish)
  - 5143798-11** (Italian)
  - 5143798-12** (Portuguese)
  - 5143798-13** (Scandinavian)

**NOTE: The following parts are Not Shown.**

- 2262158-9** CABLE, 50 PIN SCIM KEYBOARD
- 5148389-2** SCIM <sup>W</sup>/ENGLISH OVERLAY (Black)
- 5148389-9** MR SCIM GLOBAL OVERLAY SET (Black)

**GOC COMPUTER CABINET WITH HP9300 OR HP8400:**

\* **5143798-14** is only compatible with 14M5 software or later

\*\* Sites with SCSI Tower **MUST** order 5183547-41 as a replacement. Sites without a SCSI Tower can order 5183547-41 or 5183547-60 as a replacement.

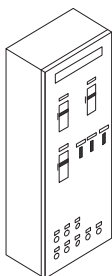
**NOTE: The following parts are Not Shown.**

**5151612** USB CABLE FOR OPERATOR WORKSPACE

**5141564** AUTOVOICE CABLE



**NOTE: Refer to the Directions on applicable MR Service Methods DVD for additional product information.**



**NOTE: The following items are Not Shown.**

**5338648** Upgrade kit for MDP Battery and Charger

**5375947** Power Sonic Battery FRU

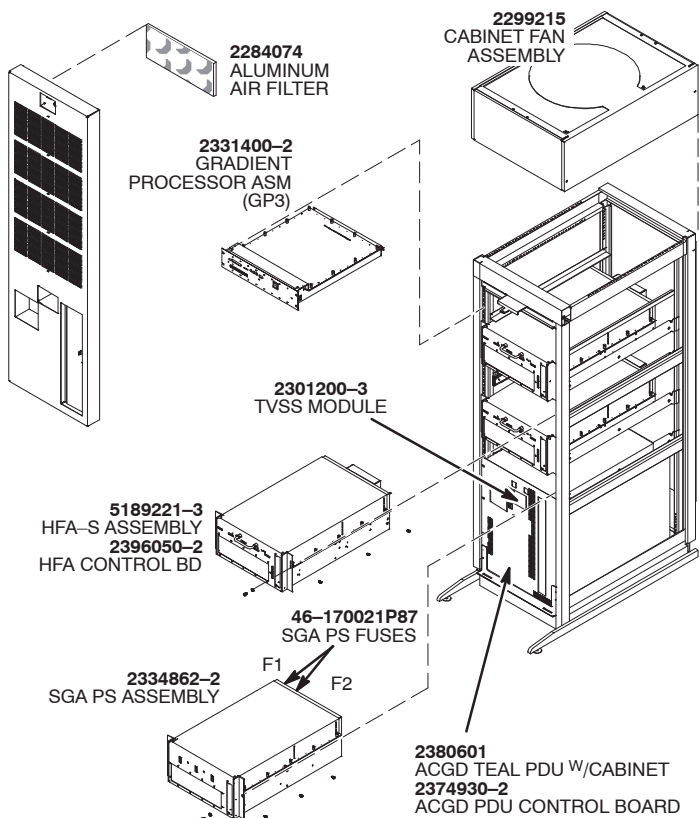
**5316807** Power Supply FRU

LOCATION	AMPS	VOLTS	GEMS PART NUMBER	MANUFACTURER	
				BUSS	G-S
FUSE F1	1.25	480	2276547-2	SNQ-R-1-1/4	ATQR1-1/4
FUSE F2	3	120	2276547-3	FNQ-R-3	ATQR3
FUSE F3	1	12VDC	2276547-8	LP-CC-1	ATDR1
FUSE F4	0.12	480	2276547-9	SNQ-R-8	ATQR1/8
FUSE F5	125	600	2276547-19	LPJ125SP	AJT125
FUSE F6	50	600	2276547-20	LPJ-50SP	AJT50
FUSE F7	20	600	2276547-22	LPJ-20SP	AJT20
FUSE F8	5	600	2276547-21	FRS-R-5	TRS5R
FUSE F9	8	400	2276547-6	FRS-R-8	TRS8R
FUSE F10	10	120	2276547-11	FNQ-R-10	ATQR10
FUSE F11	10	120	2276547-11	FNQ-R-10	ATQR10

**2276547-14** 12 VDC BATTERY

**2276547-16** 12 VDC SUPPLY

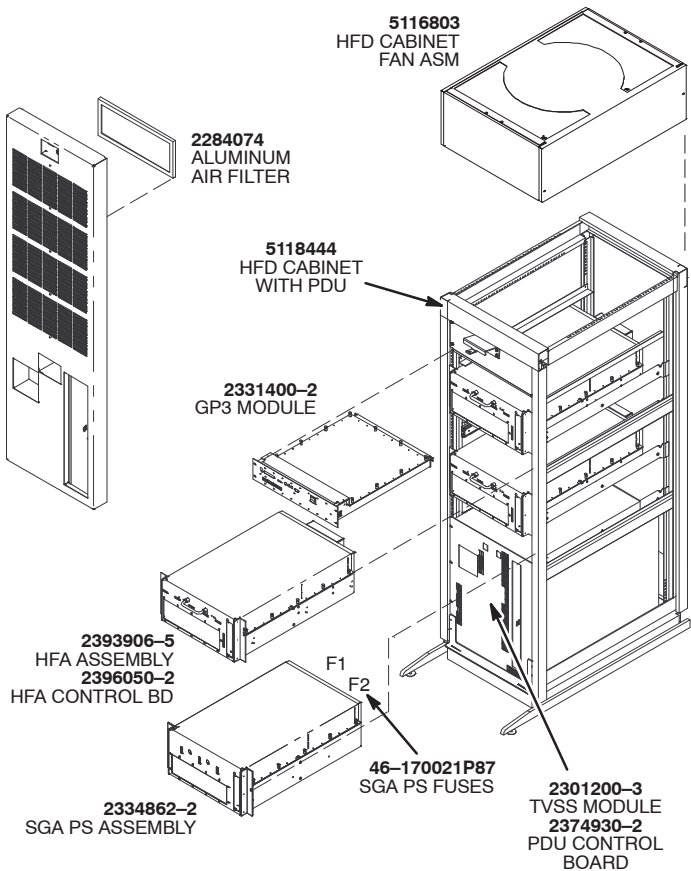
**HFD-S/PDU CABINET ASSEMBLY W/SGA/SGAPS/GP**



**NOTE: The following Part is Not Shown.**

**2303317** CAN Terminator

HFD/PDU CABINET





**HDx RFS CABINET with CAM Module**

- \* If a cabinet contains a 5127452 ICN, a replacement 5127452 must be ordered. If a 5127452-3 is in the cabinet, a 5127452-3 must be ordered.
- \*\* The SUN 4170 ICN is only compatible with 15M4B software or higher
- \*\*\*The ORACLE/SUN 4170M2 ICN is only compatible with 16.0v02 software or higher.

**CAM MODULE SEE PAGE 36**

- |                   |    |                         |                     |
|-------------------|----|-------------------------|---------------------|
| <b>5139592</b>    | OR | <b>5162073</b>          |                     |
| 16 PORT           |    | 24 PORT ETHERNET SWITCH |                     |
| ETHERNET          |    | (32 CHANNEL OPTION)     |                     |
| SWITCH            |    |                         |                     |
| <b>5127452*</b>   | OR | <b>5337894-3**</b>      | <b>5911000-4***</b> |
| IMAGE             |    | SUN 4170 ICN            | ORACLE/SUN          |
| COMPUTE           |    | (16 Channel)            | 4170M2 ICN          |
| NODE              |    | or                      | (8 & 16 Channel)    |
| OR                |    | <b>5337894-4**</b>      | or                  |
| <b>5127452-3*</b> |    | SUN 4170 ICN            | <b>5911000-5***</b> |
| SUN 4100 ICN      |    | (32 Channel)            | ORACLE/SUN          |
| <b>5127452-4</b>  |    | <b>5337894-5</b>        | 4170M2 ICN          |
| SUN HDD           |    | 4170 HDD                | (32 Channel)        |
|                   |    |                         | <b>5337894-5</b>    |
|                   |    |                         | 4170 HDD            |

**REMOTE RF MODULE SEE PAGE 38**

**5110612**  
DRIVER  
MODULE

**2351573**  
RF AMP FRU

**5120780**  
TERM SERVER  
CABLE FRU KIT  
(4 CABLES)

**2379186**  
TERMINAL  
SERVER

**5115759**  
SINGLE PORT  
TERM SERVER  
(OPTION)

**5149828**  
6 OUTLET  
POWER STRIP

**5143103**  
AC DISTRIBUTION  
BOX

**5125176**  
UTNS  
SPLITTER BOX

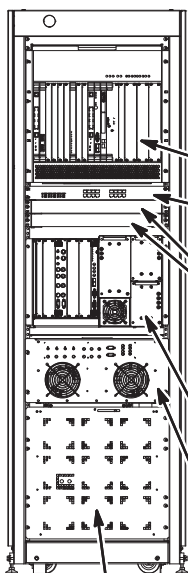
**NOTE: The following items are Not Shown.**

**5272613** NMR SERVICE CABLE KIT

**46-296817P150** OHM BNC TERMINATOR

**5306523** DVMR SERVICE CABLE KIT (Supports IRF2b, RRF-DIF3 & later  
(Order if DVMR Loopback adaptor is needed; Supports HD 16.0v02 or later).

**HDx RFS CABINET with MGD Module**



- \* If a cabinet contains a 5127452 ICN, a replacement 5127452 must be ordered. If a 5127452-3 is in the cabinet, a 5127542-3 must be ordered.
- \*\* The SUN 4170 ICN is only compatible with 15M4B software or higher
- \*\*\*The ORACLE/SUN 4170M2 ICN is only compatible with 16.0v02 software or higher.

**MGD MODULE**  
SEE PAGE 37

**5139592**  
16 PORT  
ETHERNET  
SWITCH

**OR 5162073**  
24 PORT ETHERNET SWITCH  
(32 CHANNEL OPTION)

**5127452\***  
IMAGE  
COMPUTE  
NODE  
OR

**5337894-3\*\***  
SUN 4170 ICN  
(16 Channel)  
OR

**5911000-4\*\*\***  
ORACLE/SUN  
4170M2 ICN  
(8 & 16 Channel)  
OR

**5127452-3\***  
SUN 4100 ICN  
**5127452-4**  
SUN HDD

**5337894-4\*\***  
SUN 4170 ICN  
(32 Channel)  
**5337894-5**  
4170 HDD

**5911000-5\*\*\***  
ORACLE/SUN  
4170M2 ICN  
(32 Channel)  
**5337894-5**  
4170 HDD

**REMOTE RF MODULE**  
SEE PAGE 38

**5110612**  
DRIVER MODULE

**2351573**  
RF AMP FRU

**5120780**  
TERM SERVER  
CABLE FRU KIT  
(4 CABLES)

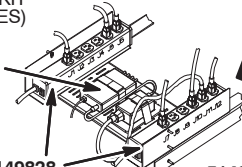
**2379186**  
TERMINAL  
SERVER

**5115759**  
SINGLE PORT  
TERM SERVER  
(OPTION)

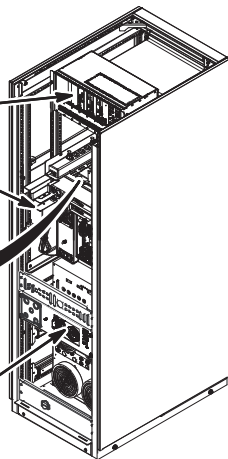
**5149828**  
6 OUTLET  
POWER STRIP

**2363041-2**  
ASC CHASSIS  
SEE PAGE 40

**5125176**  
UTNS SPLITTER BOX



**5143103**  
AC DISTRIBUTION  
BOX



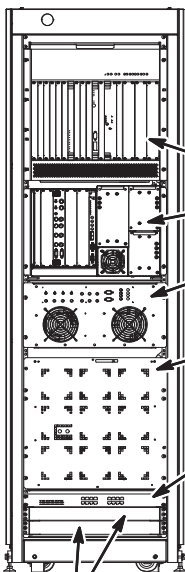
**NOTE: The following items are Not Shown.**

**5272613** NMR SERVICE CABLE KIT

**46-296817P150** OHM BNC TERMINATOR

**5306523** DVMR SERVICE CABLE KIT (Supports IRF2b, RRF-DIF3 & later  
(Order if DVMR Loopback adaptor is needed; Supports HD 16.0v02 or later))

**HD RFS CABINET UPGRADED TO HDx**



- \* If a cabinet contains a 5127452 ICN, a replacement 5127452 must be ordered. If a 5127452-3 is in the cabinet, a 5127542-3 must be ordered.
- \*\* The SUN 4170 ICN is only compatible with 15M4B software or higher
- \*\*\*The ORACLE/SUN 4170M2 ICN is only compatible with 16.0v02 software or higher.

**MGD MODULE**  
SEE PAGE 37

**REMOTE RF MODULE**  
SEE PAGE 38

**5110612**  
DRIVER  
MODULE

**2351573**  
RF AMP FRU

**5139592**  
16 PORT  
ETHERNET  
SWITCH

or  
**5162073**  
24 PORT  
ETHERNET  
SWITCH  
(32 CHANNEL  
OPTION)

**5127452\***  
IMAGE  
COMPUTE  
NODE  
OR

**5127452-3\***  
SUN 4100 ICN  
or  
**5127452-4**  
SUN HDD

**5337894-3\*\***  
SUN 4170 ICN  
(16 Channel)  
or  
**5337894-5**  
4170 HDD

**5337894-4\*\***  
SUN 4170 ICN  
(32 Channel)  
or  
**5337894-5**  
4170 HDD

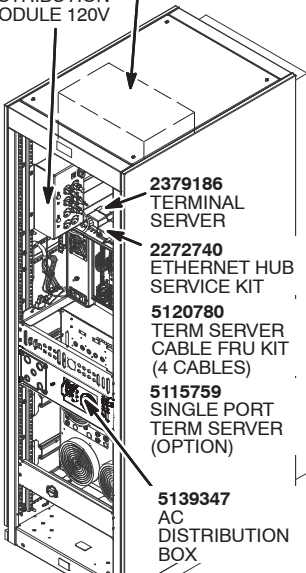
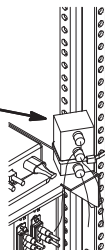
**5911000-4\*\*\***  
ORACLE/SUN  
4170M2 ICN  
(8 & 16 Channel)  
or  
**5337894-5**  
4170 HDD

**5911000-5\*\*\***  
ORACLE/SUN  
4170M2 ICN  
(32 Channel)  
or  
**5337894-5**  
4170 HDD

**5115474**  
UTNS  
SPLITTER  
BOX

**2363041-2**  
ASC CHASSIS  
SEE PAGE 40

**5111201**  
AC DISTRIBUTION  
MODULE 120V



**2379186**  
TERMINAL  
SERVER

**2272740**  
ETHERNET HUB  
SERVICE KIT

**5120780**  
TERM SERVER  
CABLE FRU KIT  
(4 CABLES)

**5115759**  
SINGLE PORT  
TERM SERVER  
(OPTION)

**5139347**  
AC  
DISTRIBUTION  
BOX

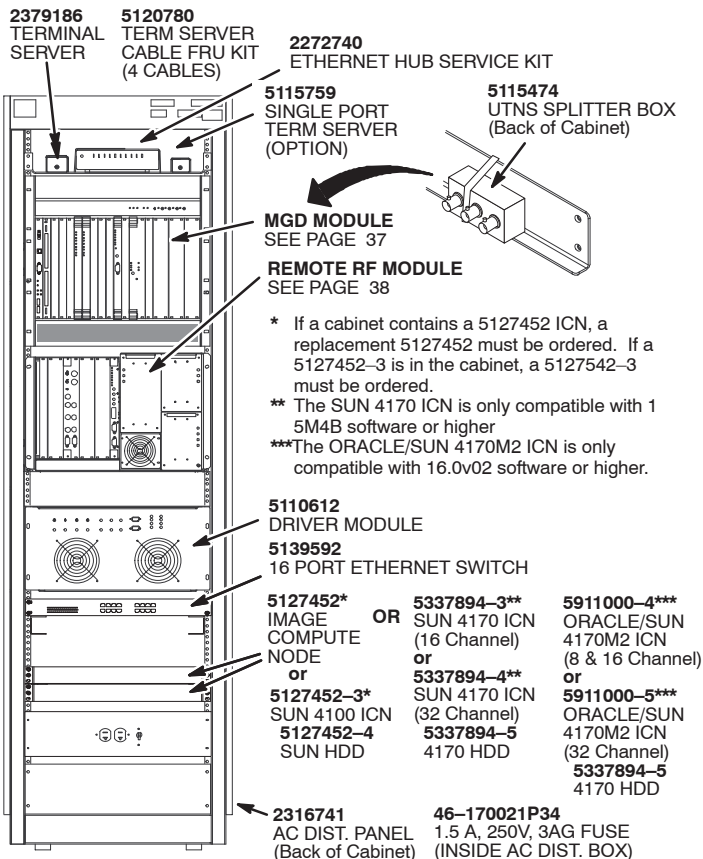
**NOTE: The following items are Not Shown.**

**5272613** NMR SERVICE CABLE KIT

**46-296817P150** OHM BNC TERMINATOR

**5306523** DVMR SERVICE CABLE KIT (Supports IRF2b, RRF-DIF3 & later  
(Order if DVMR Loopback adaptor is needed; Supports HD 16.0v02 or later)

**EXISTING SYSTEM CABINET UPGRADED TO HDx**

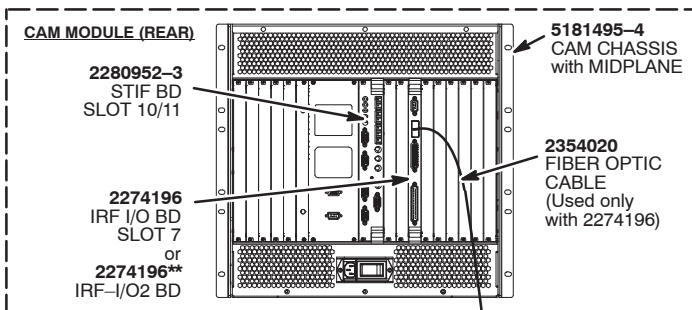
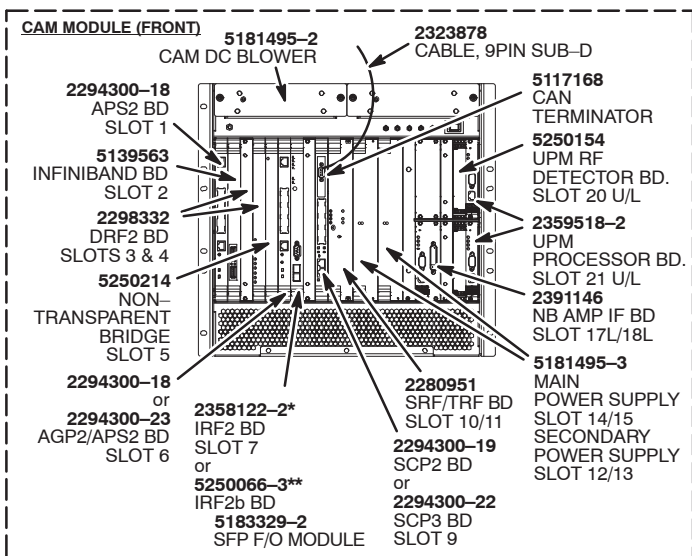


**NOTE: The following items are Not Shown.**

**5272613** NMR SERVICE CABLE KIT

**46-296817P150** OHM BNC TERMINATOR

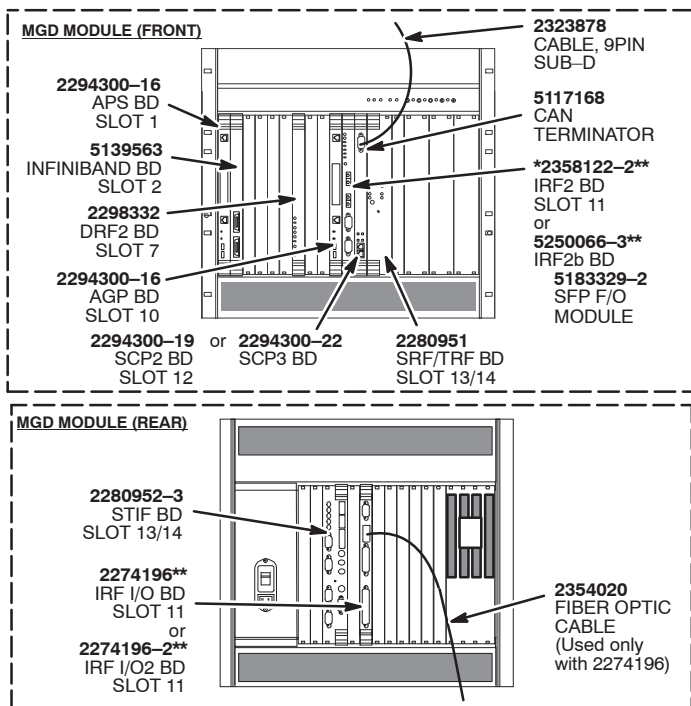
**5306523** DVMR SERVICE CABLE KIT (Supports IRF2b, RRF-DIF3 & later  
(Order if DVMR Loopback adaptor is needed; Supports HD 16.0v02 or later)



\* For 32 Channel systems, use 2358122 IRF2 Bd.

\*\* Replace the following boards only with the same P/N board: 2358122-2, 5250066-3, 2274196, and 2274196-2.

**NOTE:** In the MGD, CAM, and RRF Chassis, the RRF-DIF3 (6250184), IRF2b (5250066-3), and IRF-I/O2 (2274196-2) Boards only work with each other in the system. Do not intermingle other P/N boards with these. Also, they are only compatible with 16.0v02 software and higher.



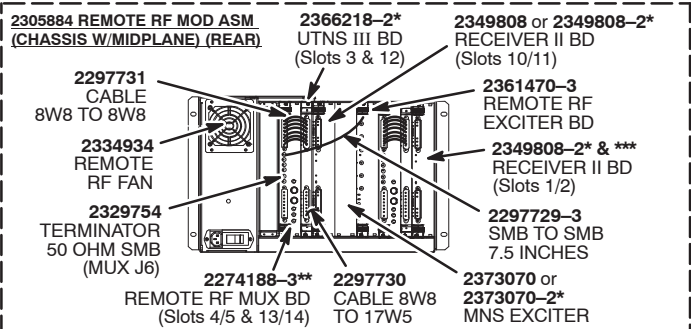
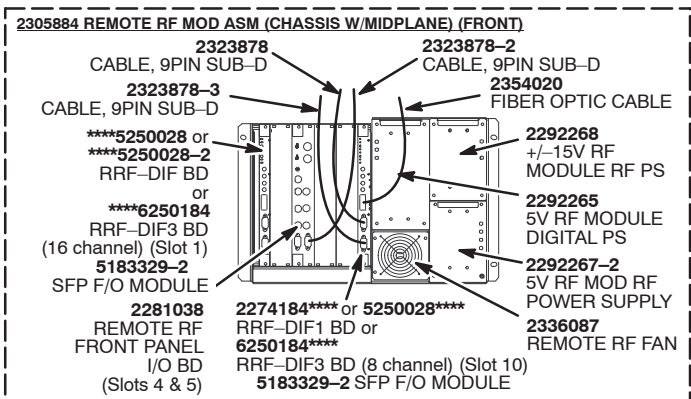
\* For 32 Channel systems, use **2358122** IRF2 Bd.

\*\* Replace the following boards only with the same P/N board: 2358122-2, 5250066-3, 2274196, and 2274196-2.

**NOTE:** In the MGD, CAM, and RRF Chassis, the RRF-DIF3 (6250184), IRF2b (5250066-3), and IRF-I/O2 (2274196-2) Boards only work with each other in the system. Do not intermingle other P/N boards with these. Also, they are only compatible with 16.0v02 software and higher.

**NOTE: The following MGD Module parts are Not Shown.**

2294300-5	BRIDGE BOARD
2294300-6	MGD CHASSIS W/BACKPLANE & AC ENTRY (No Boards)
2294300-7	MGD FAN
2294300-8 or	
5181495-3	POWER SUPPLIES
2294300-9	INDICATOR BOARD



**NOTE:** In the MGD, CAM, and RRF Chassis, the RRF-DIF3 (6250184), IRF2b (5250066-3), and IRF-I/O2 (2274196-2) Boards only work with each other in the system. Do not intermingle other P/N boards with these. Also, they are only compatible with 16.0v02 software and higher.

**NOTE: Additional REMOTE RF MOD ASM Parts/Cables are located on page 39.**

\* A part that does not have a "-2" can be replaced with either the same part number or the same number ending with a "-2". If replacing the "-2" version, then only the part number with a "-2" can be used.

\*\* 2274188 and 2274188-2 are replaced by 2274188-3. Also, all 2274188 series MUX boards can be replaced by backwards compatible MUX2 board, 5250106.

\*\*\* For 32 Channel systems, use 5250144 Exciter 2.1, in main RFS Cabinet only (not in 32 Channel cabinet)

\*\*\*\* Replace the following boards only with the same P/N board:  
2274184, 5250028, 5250028-2, and 6250184.

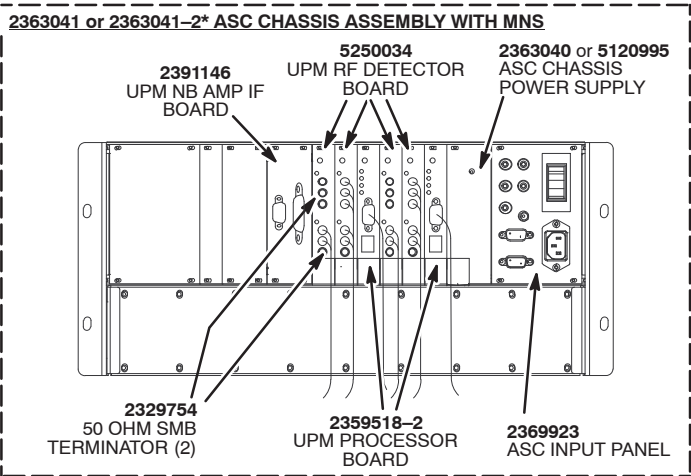
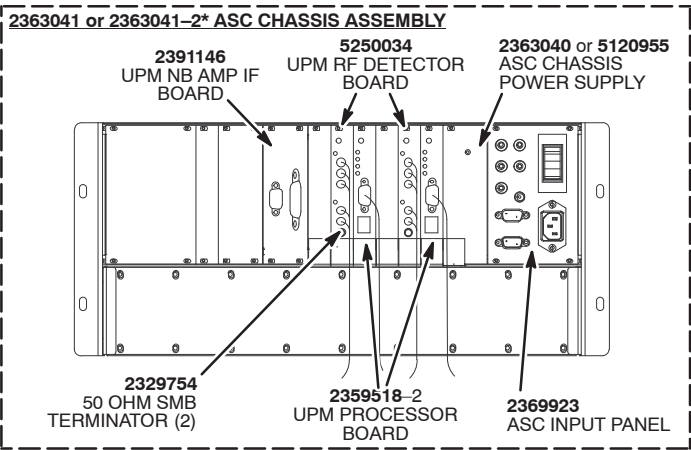
**NOTE: The following RRF MODULE (page 38) Parts/Cables are Not Shown.**

<b>46-306565P1</b>	CABINET FILTER
<b>2294728</b>	COMPACT PCI FRONT PANEL BLANK (8HP) (2 SLOT)
<b>2319152</b>	COMPACT PCI FRONT PANEL BLANK (4HP) (1 SLOT)
<b>2308729</b>	BNC TO SMB CABLE (MUX J8 TO CAB I/F J1)
<b>2308728</b>	8W8 CABLE ASSEMBLY (MUX J5)
<b>2322578</b>	J15/23/25/26 DATA INPUT CABLE (CAB I/F)
<b>2322580</b>	CABLE J18, UNBLANK (CAB I/F)
<b>2322581</b>	CABLE J24, MAGNET MONITOR (CAB I/F)
<b>2322582</b>	CABLE J30/31, SERIAL EXP (CAB I/F)
<b>2322583</b>	CABLE J62 (15 PIN SUB-D) (CAB I/F)
<b>2322586</b>	CABLE J61 (37 PIN SUB-D) (CAB I/F)
<b>2308729-2</b>	BNC TO SMB CABLE (MUXJ13 TO CAB I/F J2)
<b>2308729-3</b>	BNC TO SMB CABLE (MUXJ14 TO CAB I/F J3)
<b>2394870-3</b>	RRF slot14R-J5 I/O J200
<b>5110796</b>	RRF slot14R-J13 I/O J202
<b>5110795</b>	RRF slot 14R-J13 I/O J202
<b>5115417-3</b>	RRF slot14R-J8 RF Amp J14
<b>5115417</b>	RRF slot12R-J31 Splitter-1
<b>5113193</b>	RRF slot12R-J7 RRF slot11R-J6/7
<b>2394870-2</b>	RRF slot5R-J5 I/O J201
<b>5113193-2</b>	RRF slot3R-J7 RRF slot2R-J6/7
<b>5115417-2</b>	RRF slot3F-J31 Splitter-2
<b>5115630</b>	J7 MUX (2) TO J6 MUX (1) CABLE
<b>5115630-2</b>	RRF slot14R-J11 RRF slot9R-J6
<b>5116213-2</b>	RF Extension cable to Run 1238
<b>5121269</b>	RF Extension cable to Run 1259
<b>5145157</b>	Fiber Optic cable, MGD Slot 11R-J20 to RF Slot 10F-J21
<b>5145157-2</b>	Fiber Optic cable, MGD Slot 11F-J7 to RF Slot 1F-J21
<b>5150527</b>	Y Power cable, 10 feet
<b>5160775</b>	HDx, FRU ICN Ethernet Cable Collector

<b>5429284</b>	<b>Fiber Optic Cable FRU Kit for RRF-DIF3, IRF2b &amp; IRF-I/O2</b> contains: 5257686-2, MGD Slot 11F J10 to RF Slot 10F J21 5416142-2, MGD Slot 11F J8 to RF Slot 10F CLK 5257686-3, MGD Slot 11F J11 to RF Slot 1F J21
----------------	--

**NOTE: The following ASC MODULE (page 40) Parts/Cables are Not Shown.**

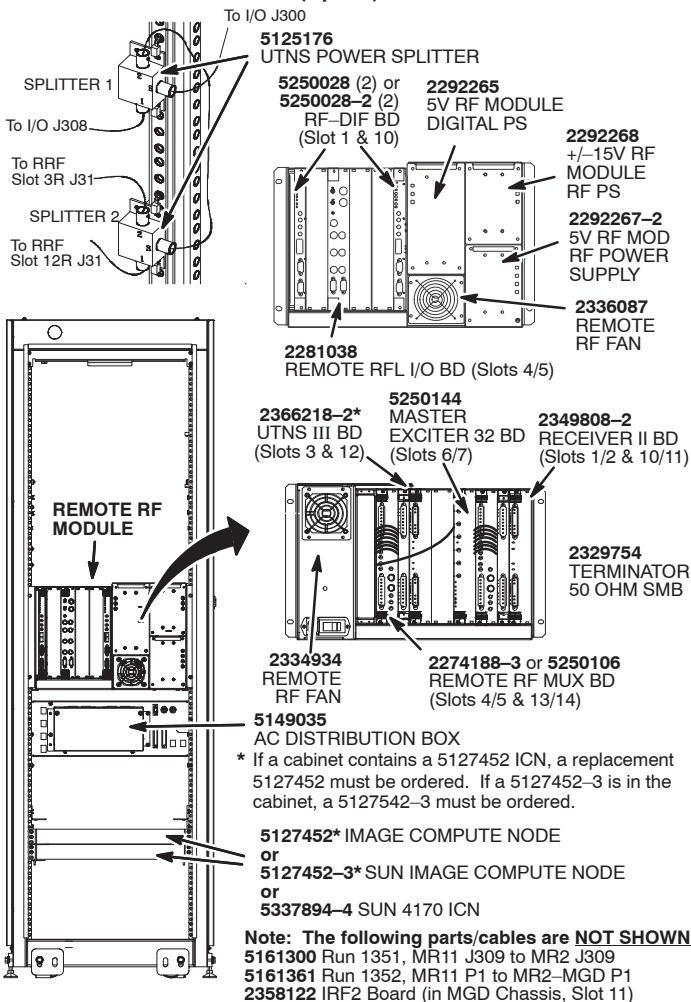
<b>5115417-4</b>	ASC slot14-J1 RF Amp J8
<b>5115417-5</b>	ASC slot14-J4 RF Amp J7
<b>5115417-6</b>	ASC slot11-J1 RF Amp J6
<b>5120955</b>	ASC POWER SUPPLY
<b>2391148</b>	1.5T BB2 AMP I/F ASM



**NOTES:**

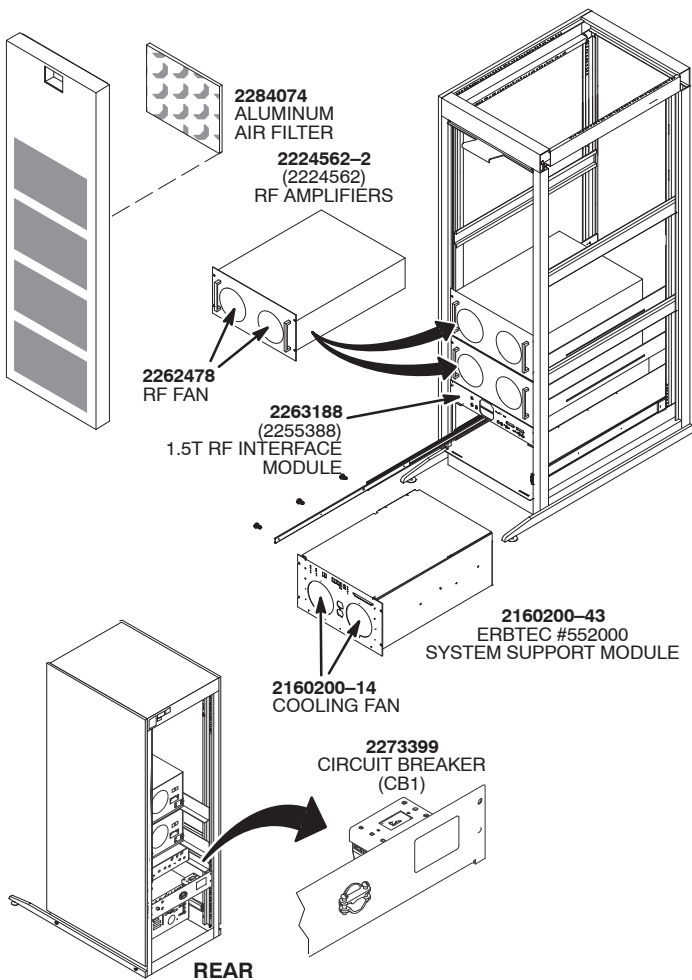
\* Additional ASC MODULE Parts/Cables are located on page 39.

**HDx 32 CHANNEL CABINET (Option)**



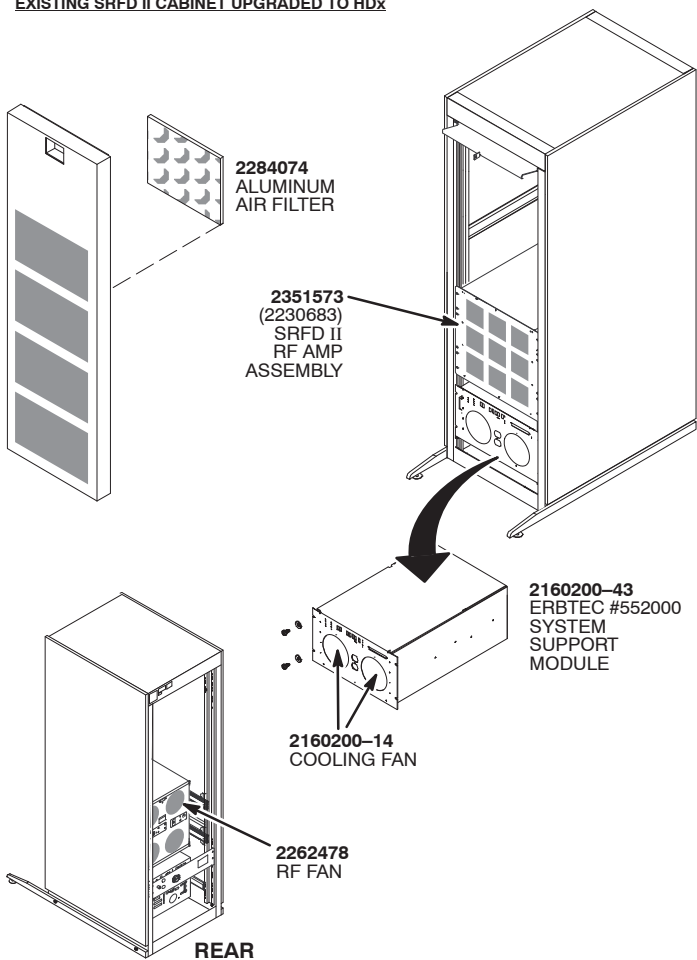


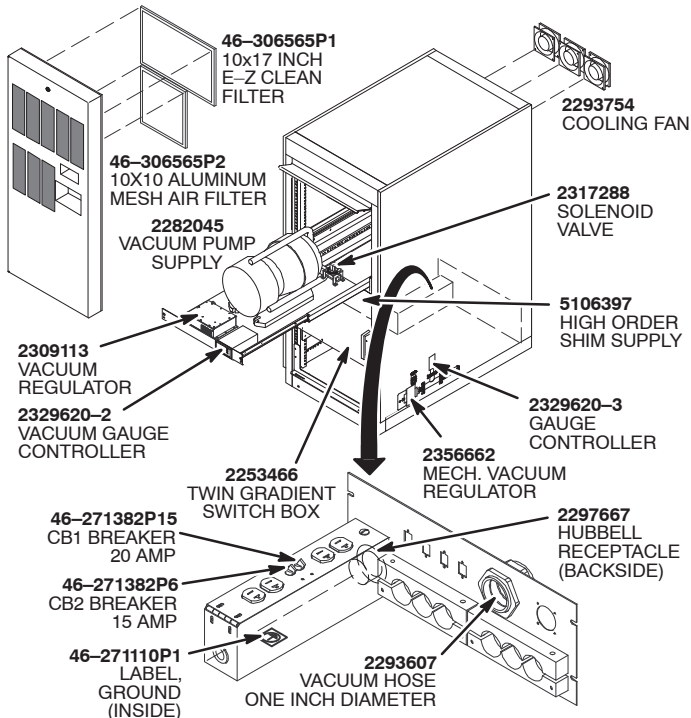
**EXISTING SRF CABINET UPGRADED TO HDx**



**SRF CABINET**

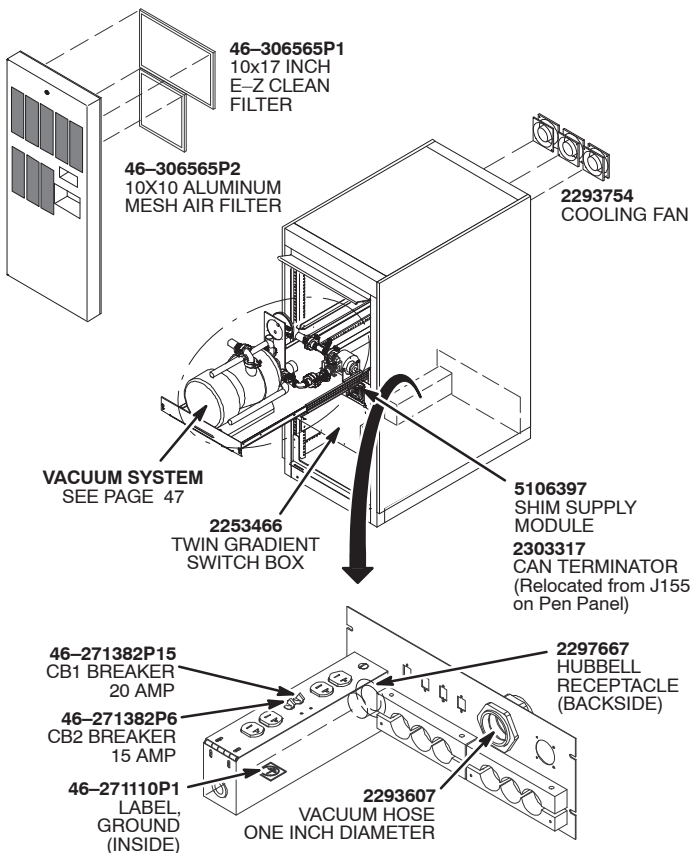
**EXISTING SRFD II CABINET UPGRADED TO HDx**

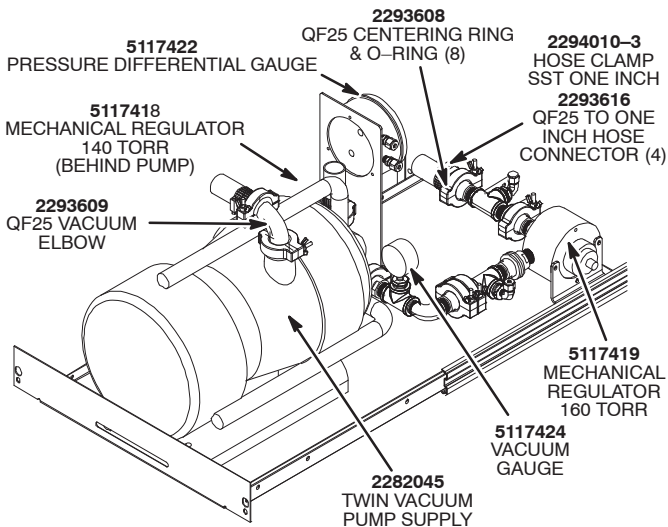


**2239500 TAC****NOTE: The following parts are Not Shown.**

2282045-2	VACUUM PUMP TIP SEAL KIT
2293608	QF25 CENTERING RING & O-RING
2293608-2	QF16 CENTERING RING & O-RING
2293609	QF25 VACUUM ELBOW
2293616	QF25 ADAPTER TO ONE INCH HOSE
2293617	VACUUM REDUCING 'T'
2293618	QF16 CLAMP
2293618-2	QF25 CHAIN CLAMP
2294010-3	HOSE CLAMP, SST ONE INCH
2297760	VACUUM GREASE, MSDS# 8366442
2329620-4	VACUUM GAUGE CONTROLLER CABLE
2284301	VACUUM GAUGE TO TAC J2 CABLE

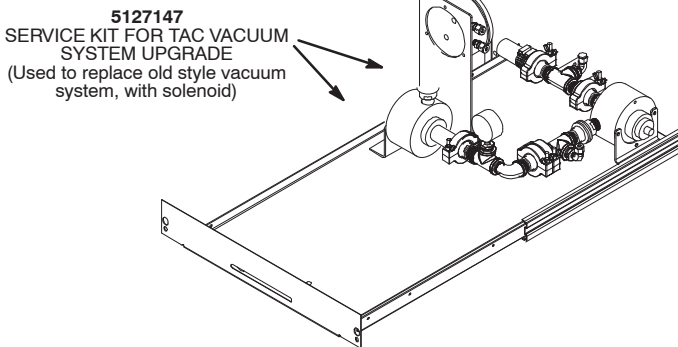
**5118162 TAC**





**NOTE: The following parts are Not Shown.**

2282045-2	VACUUM PUMP TIP SEAL KIT
5118818	CLAMP NW 20-25
2297760	VACUUM GREASE, MSDS# 8366442





The table below provides information for generic replacement cables. If any of the cables are ordered, make sure to order write-on labels to be used for identifying cable part number and connection designations at the end of each cable.

#### GENERIC REPLACEMENT CABLES

Description	Length	
	65 Feet	100 Feet
9 Pin Sub-D Male/Female	46-244714G30	46-244714G37
9 Pin Sub-D Female/Female	46-244713G30	46-244713G37
15 Pin Sub-D Male/Female	46-244712G30	46-244712G37
15 Pin Sub-D Female/Female	46-244711G30	46-244711G37
25 Pin Sub-D Male/Female	46-244710G30	46-244710G37
25 Pin Sub-D Female/Female	46-244709G30	46-244709G37
37 Pin Sub-D Male/Female	46-258877G30	46-258877G37
	50 Feet	65 Feet
BNC RG 223	46-251710G1	46-251710G18
Cable Write-on Labels (60 labels per booklet)	46-208781P3	

#### DESIGNATED CABLE REPLACEMENTS

CABLE PART #	CABLE RUN
46-244710G30	Run 1227 Run 1236
46-244712G30	Run 1188
46-244713G30	Run 1181
46-244714G30	Run 1180 Run 1181 Run 1233
46-258877G30	Run 1189 Run 1190

**CABLE KITS**

<b>FRU Kit Description</b>	<b>Part #</b>
Receive Cables for Equipment Room, 34.5 ft (10.56m)	5119953
Receive Cables for Equipment Room, 65.6 ft (20m)	5119953-2
Receive Cables for Magnet Room, 28.2 ft (8.6m)	5119954
Receive Cables for Magnet Room, 49.2 ft (15m)	5119954-2
Transportable/Relocatable MC Rcv Cable Kit (Eqmt. Rm)	5119953-3
Body Receive Cables (both rooms), 34.5 ft (10.52m)	5119956
Body Receive Cables (both rooms), 65.6 ft (20m)	5119956-2
Term Server Cables (4 cables)	5120780

**FIBER OPTIC CABLE KIT – FIXED SITE**

<b>Description</b>	<b>Part #</b>
Includes clamps, cable ties, mounts, and Runs 1045 & 1179. (Fixed Site)	5159412
Includes clamps, cable ties, mounts, and Runs 1045 & 1179. (Mobile & T/R sites)	5159413

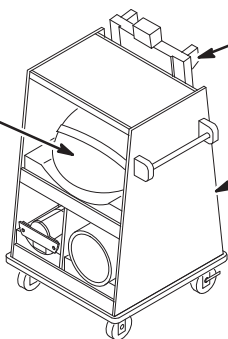
**TIMES MICROWAVE CABLE PARTS**

<b>Description</b>	<b>Part #</b>
Straight Male N Connector for LMR 600	2352195
7/8 EIA Right Angle Plug & Center Pin	2319986
7/8 EIA Right Angle Plug for LMR 1200 & Center Pin	2384859

**VRE CABLE KITS**

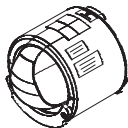
<b>Description</b>	<b>Part #</b>
Infiniband cables – Infiniband to MGD and ICN	5160774
Ethernet cables – ICN to Ethernet, Runs 1371 & 1345	5160775

**2274476**  
LV SHIM PHANTOM  
INNER SPERE  
**2306642**  
LV PHANTOM  
SMALL HALF ASM  
**2306645**  
LV PHANTOM  
BIG HALF ASM

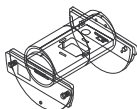


**2125247-13**  
MOLDED SPT  
NESTING PLATE

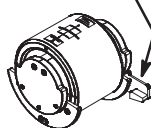
**2134213**  
SPT PHANTOM  
CART



**2125244**  
SPT SHORT LOADER  
w/SPHERE ASM



**2131027-2**  
DQA III ASM



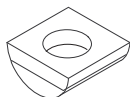
**5121115**  
LOCATION  
BRACKET  
w/SCREWS

**2321556**  
DQA PHANTOM  
WITH LOADER

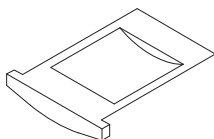
For Field Replacement Order:

**2135650-2** – SPT SPHERE

**2135652-2** – SPT LOADER



**2291292**  
EPI HEAD  
POSITIONER



**5110241**  
HEAD LOADER  
POSITIONER



**2170481**  
EPI FOAM  
POSITIONER

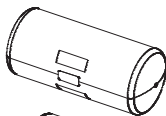


**46-317586G1**  
10cm NiCl  
PHANTOM

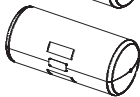


**2258366**  
10cm SILICON  
FILLED PHANTOM

**UNIFIED SURFACE COIL PHANTOM SET**



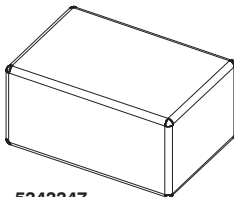
**5342679**  
Large Cylindrical  
Unified Phantom



**5342680**  
Small Cylindrical  
Unified Phantom



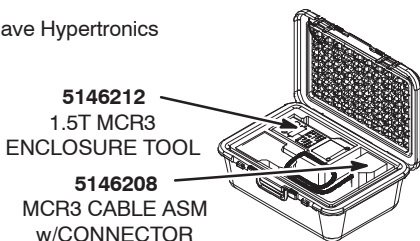
**5342681**  
Cubical  
Unified Phantom



**5343347**  
TL Unified Phantom

**MCR3 TOOL:**

For use with systems that have Hypertronics connectors only in LPCA.



**RF TRANSMIT TERMINATION KIT:**

5131924 1.5T AND 3.0T RF TRANSMIT CABLE SERVICE KIT

**GRAFIDY KIT:**



2270695  
CuSO4 SAMPLE VIAL

**HDx TEMPERATURE AND SENSOR KIT:**

5147136-2 ENVIRONMENTAL REPAIR KIT

**HEAD COILS:**

1.5T SPLIT HEAD COIL ASM	
<b>2341973</b>	1.5T SPLIT HEAD COIL ASM
<b>5191687</b>	HEAD COIL LATCHING FRU KIT
<b>2145391</b>	MIRROR ASM
<b>5140886</b>	HDx HEAD COIL QHTR ASSEMBLY
HDx SINGLE CHANNEL SURFACE COIL ADAPTOR	..... <b>G3335LJ</b>
	(Part of M3335JA or M3335JB)
<b>5140888</b>	SURFACE COIL SINGLE CHANNEL ASSEMBLY
HDx DUAL ARRAY SURFACE COIL ADAPTOR	..... <b>M3335MG</b>
<b>5140889</b>	SURFACE COIL DUAL ARRAY ASSEMBLY
1.5T GENERAL PURPOSE COIL CABLE W/COIL ID	..... <b>M1085NJ</b>
<b>2383623</b>	SINGLE CHANNEL RECEIVE ONLY CABLE W/COIL ID
1.5T LINEAR EXTREMITY COIL CABLE W/COIL ID	..... <b>M1085PC</b>
<b>2383622</b>	LINEAR EXTREMITY COIL CABLE W/COIL ID
1.5T LEGACY HEAD COIL CABLE W/COIL ID	..... <b>M1085PJ</b>
<b>2384268</b>	LEGACY HEAD COIL CABLE W/COIL ID

COILS CONTINUED ON NEXT PAGE.

**EXTREMITY COILS:**

1.5T 3 CHANNEL SURFACE COIL .....	M3335MN
2416757	COIL ASM
2417165	CABLE ASM
2375136-3	PHANTOM POSITIONER
1.5T 8 CHANNEL CTL COIL .....	M3335MA
2416758	COIL ASM
2225545-9	ADAPTOR BLOCK
2377426-8	CERVICAL BRIDGE
2417163	CABLE ASM
2377426-3	PHANTOM KIT
1.5T 8 CHANNEL BODY ARRAY COIL .....	M3335MC
2416759	COIL ASM (POSTERIOR)
2418093	COIL ASM (ANTERIOR)
2417162	CABLE ASM
1.5T 8 CHANNEL CARDIAC COIL (HD CONNECTOR) .....	M3335MD
2416710	SYSTEM CABLE
2416711	POSTERIOR CABLE
2416897	POSTERIOR COIL
2416896	ANTERIOR COIL
1.5T 12 CHANNEL BODY ARRAY COIL – SINGLE .....	M3335LE
2417327	COIL ASM
2417328	SYSTEM CABLE
2377425-3	PHANTOM KIT
1.5T 12 CHANNEL BODY ARRAY COIL – DOUBLE .....	M3335LF
2417331	COIL ASM
2417329	ANTERIOR CABLE
2417330	POSTERIOR CABLE
2377425-3	PHANTOM KIT
1.5T BRAIN/SPINE COIL .....	M3335LG (FP) & M3335LH (U/G)
2417362	HEAD NECK UNIT (A & P)
2418074	HNU ADAPTOR BLOCK
2417360	NECK CHEST UNIT
2417361	TL UNIT
2417356	OUTPUT CABLE – HYPERTRONICS (UPGRADE)
2417357	OUTPUT CABLE – BENDIX (UPGRADE)
2417359	OUTPUT CABLE (FORWARD PRODUCTION)
2417358	TL UNIT CABLE
2418080	MIRROR
1.5T BRAIN/SPINE ACCESSORIES	
2418076	TL PHANTOM KIT
2418078	HN PHANTOM KIT
2418081	PAD KIT
5344844	PHANTOM POSITIONER, HNS-UNIFIED

COILS CONTINUED ON NEXT PAGE.

1.5T 16 CHANNEL SINGLE CONNECTOR PV COIL .....	M3335LM
2414066	RIGHT LEG ASM
2414067	LEFT LEG ASM
2414068	BASE PLATE
2417920	PRE-AMP BOX w/o SYSTEM CABLE
2417785	CABLE KIT
2414071	PHANTOM KIT
1.5T MNS PHOS FLEX COIL .....	M1040PH
2219090	MNS P31 COIL ASM.
2241998	QUICK DISCONNECT BOX W/CABLE TRAP
46-317287G7	COAXIAL CABLE, 32"
1.5T EXTREMITY SURFACE COIL .....	M1085AC
46-265442G1	COIL, CYLINDRICAL
46-317278P1	CABLE ASM.
1.5T BODY FLEX COIL .....	M1085BE
46-328215P1	DUAL-COIL CONNECTOR AND SLEEVE
2151291	ANTERIOR COIL W/CABLE
2151291-2	POSTERIOR COIL W/CABLE
1.5T GENERAL PURPOSE FLEX COIL .....	M1085GR
2128554	COIL ASM.
2128557	CABLE KIT
1.5T BILATERAL BREAST COIL .....	M1085BR
46-320785P3	MEDRAD BREAST COIL W/O CABLE
46-320765P2	CABLE TO HEAD PORT
46-320756P2	PA CABLE
1.5T OPEN BREAST COIL .....	M1087BT
2246360	BREAST COIL
2246360-3	CABLE ASM.
1.5T SHOULDER COIL .....	M1085AN
46-301058P9	MEDRAD SURFACE COIL
1.5T SHOULDER ARRAY COIL .....	M1087SD
2225252-7	SMALL COIL ASM.
2225252-6	LARGE COIL ASM.
1.5T SHOULDER PHASED ARRAY COIL .....	M1087SH
2100937-17	MEDRAD ANTERIOR COIL W/CABLE
2100937-18	MEDRAD ANTERIOR CABLE ASM.
2100937-19	MEDRAD POSTERIOR COIL W/CABLE
2100937-20	MEDRAD POSTERIOR CABLE ASM.
1.5T HIGH RES WRIST ARRAY .....	M1087HW
2293670-2	HIGH RES WRIST ARRAY W/BASEPLATE ASM.
2293670-3	WRIST PHANTOM
2293670-4	PHANTOM HOLDER
1.5T EXTREMITY COIL W/COIL ID .....	M1085NA
2383613-2	MAI QUAD KNEE COIL W/CABLE
2383613-3	MAI QUAD KNEE CABLE

COILS CONTINUED ON NEXT PAGE.

1.5T QUAD EXTREMITY KNEE/FOOT COIL .....	M1085E
2225478-7	VELCRO STRAP/LATCH
2383613-2	COIL ASM.
2383613-3	CABLE ASM.
2225478-10	PHANTOM
1.5T PA KNEE COIL .....	M1087AA
46-320406P1	COIL ASM.
1.5T PA TR KNEE/FOOT IMAGING OPTION .....	M1087E
2293674-14	COIL W/CABLE
2293674-13	CABLE
2293674-3	PHANTOM
2293674-5	PHANTOM POSITIONER
1.5T CARDIAC PHASED ARRAY IMAGING OPTION .....	M1087CA
2174499	CARDIAC ARRAY
2189499	COIL ASM. - ANTERIOR
2189499-2	COIL ASM. - POSTERIOR
2215748	CABLE ASM.
1.5T CARDIAC PERIPHERAL VASCULAR COIL .....	M1087PR
2293676-2	CVNV PV ARRAY COIL
2293676-3	CABLE ASM.
2293676-4	PHANTOM
2192406-7	LOADING PHANTOM
2293676-6	PHANTOM POSITIONER
2285178-4	PHANTOM STRAP
1.5T PERIPHERAL VASCULAR ARRAY COIL .....	M1087PW
2192406-2	CABLE ASM.
2192406-12	COIL ASM.
2192406-5	PIN DIODES
2192406-6	SNR PHANTOM
2192406-7	LOADING PHANTOM
2192406-9	PHANTOM POSITIONER
1.5T NEUROVASCULAR ARRAY COIL .....	M1087N
2225476-2	COIL ASM.
2225476-3	CABLE ASM.
2225476-6	COIL LATCHES
2225476-7	PHANTOM POSITIONER
1.5T NEUROVASCULAR ARRAY COIL W/ NEW TOP .....	M1087NB
2293668-2	COIL W/CABLE
2225476-3	CABLE ASM.
2225476-6	COIL LATCHES
2293668-7	PHANTOM POSITIONER
2293668-8	NV ARRAY CABLE - HD COMPATIBLE
1.5T NEUROVASCULAR HEAD/NECK COIL .....	M1085HN
2118138-5	COIL ASM.
2383614	QUAD NV CABLE
1.5T ANTERIOR NECK COIL .....	M1085AK
46-287396P10	MEDIUM SURFACE COIL

COILS CONTINUED ON NEXT PAGE.

REVISION 11	DIRECTION 5166012
1.5T POSTERIOR CERVICAL SPINE COIL .....	M1085AM
46-287807P12 MEDRAD NECK COIL	
1.5T QUADRATURE T/L SPINE COIL .....	M1085AP
46-307387P10 MEDRAD COIL W/POSITIONER	
1.5T QUADRATURE CERVICAL SPINE COIL .....	M1085AR
46-320422P1 COIL W/CABLE	
1.5T CTL COIL .....	M1087CT
2104799 CTL MULTICOIL ASM.	
1.5T CTL SPINE ARRAY COIL .....	M1087SP
2225545-6 COIL W/CABLE & BRIDGE	
2225545-2 CABLE ASM.	
2225545-8 ANTERIOR NECK COIL ASM.	
2225545-9 ADAPTER BLOCK	
1.5T TORSO ARRAY COIL .....	M1087TB
2215261 COIL	
2215748-2 CABLE ASM.	
1.5T PHASED ARRAY PELVIC COIL .....	M1087PA
2144100-2 PELVIC COIL	
46-307821G1 CABLE ASM.	
2144806 PHASE ADJUST	
1.5T TORSO PELVIS COIL .....	M1087TP
2298043-2 COIL ASM.	
2298043-3 CABLE ASM.	
2298043-4 PHANTOM	
2298043-5 PHANTOM POSITIONER	
1.5T HI RES BRAIN COIL .....	M3087JA
2317112-2 8CHANNEL HR BRAIN CL/BASEPLATE	
2317112-3 8CHANNEL HR BRAIN PHANTOM POSITIONER	
2317112-8 8CHANNEL HR HEAD CABLE ASSEMBLY	
2317112-12 8CHANNEL HR BRAIN LATCH KIT	
5146634-6 MIRROR ASM	
1.5T 8 CHANNEL NV ARRAY COIL .....	M3087JB
2317115-2 8CHANNEL NV ARRAY	
2317115-3 8CHANNEL PHANTOM KIT	
2317115-10 8CHANNEL RIGHT/LEFT LATCH KIT	
2317115-11 8CHANNEL SUPERIOR LATCH KIT	
5344806 PHANTOM POSITIONER, NV-UNIFIED	
1.5T 8 CHANNEL CTL COIL .....	M3087JC
2377426-2 8CHANNEL COIL W/CABLE	
2377426-3 8CHANNEL PHANTOM	
2377426-7 8CHANNEL CABLE	
2377426-10 8 CHANNEL PREAMP	
2418267 ANTERIOR BRIDGE	
2415553 CTL COIL TABLE LOCATOR FRU KIT	
1.5T 8 CHANNEL CARDIAC COIL .....	M3087JD
2304255-2 8 CHANNEL CARDIAC ARRAY COIL W/CABLE	
2304255-3 8 CHANNEL CARDIAC ARRAY PHANTOM KIT	
2304255-7 8 CHANNEL CARDIAC ARRAY CABLE	
2377426-10 8 CHANNEL PREAMP	

COILS CONTINUED ON NEXT PAGE.

<b>1.5T 8 CHANNEL BODY ARRAY COIL</b> .....	<b>M3087JE</b>
<b>2377425-2</b>	8 CHANNEL BODY ARRAY COIL W/CABLE
<b>2377425-3</b>	8 CHANNEL BODY ARRAY PHANTOM KIT
<b>2377425-7</b>	8 CHANNEL BODY ARRAY CABLE
<b>2377426-10</b>	8 CHANNEL PREAMP

<b>1.5T 8 CHANNEL T/R KNEE COIL</b> .....	<b>M3087JF</b>
<b>5114356-2</b>	8 CHANNEL T/R KNEE ARRAY COIL W/CABLE
<b>5114356-3</b>	8 CHANNEL T/R KNEE ARRAY CABLE
<b>5114356-4</b>	8 CHANNEL T/R KNEE ARRAY BASEPLATE
<b>5114356-11</b>	8 CHANNEL T/R KNEE ARRAY PHANTOM
<b>5114356-12</b>	8 CHANNEL T/R KNEE ARRAY PHANTOM
<b>5114356-13</b>	8 CHANNEL T/R KNEE ARRAY PHANTOM POSITIONER

<b>1.5T HD NV ARAY COIL</b> .....	<b>M3087JJ</b>
<b>5117092-2</b>	HD NV ARRAY COIL W/CABLE
<b>5117092-3</b>	HD NV ARRAY CABLE
<b>5117092-6</b>	HD NV PHANTOM AND PHANTOM POSITIONER
<b>5117092-7</b>	HD NV ARRAY MIRROR REPLACEMENT

<b>1.5T 8 CHANNEL SHOULDER COIL</b> .....	
<b>5308343-2</b>	1.5T 8 CH SHOULDER COIL BY NEO COIL
<b>5271265-3</b>	1.5T 8 CH SHOULDER COIL
<b>5271265-5</b>	1.5T 8 CH SHOULDER PHANTOM HOLDER

<b>1.5T 8 CHANNEL FOOT ANKLE COIL</b> .....	
<b>5308342-2</b>	1.5T 8 CH FOOT ANKLE COIL BY INVIVO COIL
<b>5308342-3</b>	1.5T 8 CH FOOT ANKLE COIL CABLE by INVIVO COIL
<b>5273235-5</b>	1.5T 8 CH FOOT ANKLE COIL PHANTOM by INVIVO COIL

**NOTES:**

---



---



---



---



---



---



---



---



---



---



---



---



---



---



---



---



---



---



---



---



---



---

**HD23 COILS:**

<b>1.5T FLEX SUITE PREMIUM-HCON</b> .....	<b>M7000SG</b>
<b>5430000-2</b> GEM Flex Coil 16-L Array, 1.5T Receive Only	
<b>5430000-3</b> GEM Flex Coil 16-M Array, 1.5T Receive Only	
<b>5430000-4</b> GEM Flex Coil 16-S Array, 1.5T Receive Only	
<b>5430000-8</b> GEM Flex Knee Stabilization Device for Curved & Flat Tables	
<b>5430000-9</b> GEM Flex General Purpose Strap and Interface Cover Kit	
<b>5430000-10</b> GEM Flex 16-L Coil Covering Replacement Kit	
<b>5430000-11</b> GEM Flex 16-M Coil Covering Replacement Kit	
<b>5430000-12</b> GEM Flex 16-S Coil Covering Replacement Kit	
<b>5430000-13</b> GEM Flex Stabilization Device for Curved & Flat Tables	
<b>5430000-14</b> GEM Flex System Cable Take Up Pad	
<b>5430000-17</b> GEM Flex Interface 16 Channel Fixed, 1.5T HD-Connector	
<b>5430000-21</b> GEM Flex 16 Channel System Cable, HD Connector	
<b>1.5T FLEX SUITE STANDARD-HCON</b> .....	<b>M7000SH</b>
<b>5430000-2</b> GEM Flex Coil 16-L Array, 1.5T Receive Only	
<b>5430000-3</b> GEM Flex Coil 16-M Array, 1.5T Receive Only	
<b>5430000-8</b> GEM Flex Knee Stabilization Device for Curved & Flat Tables	
<b>5430000-9</b> GEM Flex General Purpose Strap and Interface Cover Kit	
<b>5430000-10</b> GEM Flex 16-L Coil Covering Replacement Kit	
<b>5430000-13</b> GEM Flex Stabilization Device for Curved & Flat Tables	
<b>5430000-14</b> GEM Flex System Cable Take Up Pad	
<b>5430000-17</b> GEM Flex Interface 16 Channel Fixed, 1.5T HD-Connector	
<b>5430000-21</b> GEM Flex 16 Channel System Cable, HD Connector	
<b>1.5T FLEX SM w/INTER-HCON</b> .....	<b>M7000SJ</b>
<b>5430000-4</b> GEM Flex Coil 16-S Array, 1.5T Receive Only	
<b>5430000-9</b> GEM Flex General Purpose Strap and Interface Cover Kit	
<b>5430000-12</b> GEM Flex 16-S Coil Covering Replacement Kit	
<b>5430000-17</b> GEM Flex Interface 16 Channel Fixed, 1.5T HD-Connector	
<b>5430000-21</b> GEM Flex 16 Channel System Cable, HD Connector	
<b>1.5T 16 CHANNEL CARDIAC COIL</b> .....	<b>M3340CZ</b>
<b>5418908-2</b> 1.5T 16 Channel Cardiac Coil – Anterior	
<b>5418908-3</b> 1.5T 16 Channel Cardiac Coil – Posterior	
<b>5418908-4</b> 1.5T 16 Channel Cardiac Coil Connector Block Assembly	
<b>5418908-5</b> Straps Set includes both Anterior and Posterior Velcro Straps	
<b>5418908-6</b> 16 Channel Cardiac Coil Pads – Head Pad, Foot Pad, Anterior Pad, Posterior Top Pad, Posterior Bottom Pad and Straps	
<b>5418908-7</b> 16 Channel Cardiac Coil Phantom Positioner	

**MNS OPTIONS**

Description	Part #
1.5T 31P TR Switch	2354050-2
1.5T 13C TR Switch	2354050-3
1.5T 13C MNS Preamp	5114799
MNS QA Probe 1.5T 13C	5114403
MNS QA Probe 1.5T 31P	5114978-2
1.5T 13C Sample Vial	5114978-3
1.5T 31P Sample Vial	5114978-4

**OPTIONS:**

**CADSTREAM 4.1 w/SURELOC** ..... **M3335KL**  
**5164701** CONFIRMA 4.1 SERVER PC & S/W w/MONITOR & MOUSE  
**5160894** CADSTREAM S/W & DOCS CD-ROM6  
**5154402** CADSTREAM 3.X TO 4.1 UPGRADE

**CONFIRMA MAMMO CAD** ..... **M3033NF**  
**5117875** COMPLETE PC WITH SOFTWARE

**EXCITE HD TWIN RESISTIVE SHIM POWER SUPPLY** ..... **M3000PP**  
**5118323** 1.5T HIGHER ORDER SHIM POWER SUPPLY KIT

**CLARIVIEW IMAGE FILTERING** ..... **M1090PN**  
**2203037** AW1.2 CLARIVIEW FLOPPY ASM.  
**2203038** AW2.0 CLARIVIEW FLOPPY ASM.  
**2203039** SECURITY KEY FLOPPY ASM.

**BAR CODE READER KIT** ..... **M1090PM**  
**2180690-2** READER\_ONLY  
**2180690-3** Y CABLE\_ONLY

**ReportCARD HARDWARE** .....  
**5117866-26** ReportCARD COMPUTER  
**5160890** ReportCARD SOFTWARE COLLECTOR  
**2390369** ReportCARD OPTON KEY

**FUNCTOOL** .....  
**5160880** FUNCTOOL 4.0 APPLICATIONS CD

**EXCITE SOFTWARE OPTION KEYS:**

<b>2156158-64</b>	Release 15.x Software Collector EXCITE HDxt (M3)
<b>2156158-65</b>	Release 14.x Software Collector EXCITE HDx (M5)
<b>2383494</b>	Fiesta C
<b>2383495</b>	3D Delayed Enhancement
<b>2383496</b>	Navigator 3D
<b>2383497</b>	3D FatSat Fiesta
<b>2383498</b>	Tricks
<b>2390037</b>	Asset
<b>2390040</b>	ConnectPro
<b>2390075</b>	3D FRFSE
<b>2390078</b>	EchoPlus
<b>2390079</b>	Diffusion Tensor
<b>2390084</b>	Probe 2000
<b>2390085</b>	Probe 200 Upgrade
<b>2390086</b>	Sage 7
<b>2390091</b>	2D Delayed Enhancement
<b>2390095</b>	iDrive ProPlus
<b>2390096</b>	Cardiac Tagging
<b>2390097</b>	SmartPrep 2000
<b>2390098</b>	Flouro Trigger MRA
<b>2390103</b>	Performed Proc Step
<b>5110228</b>	Single Voxel Probe-P
<b>5110229</b>	Single Voxel Probe-S and Probe-P
<b>5110230</b>	Probe 2D – CSI
<b>5110231</b>	Probe 3D – CSI
<b>5110232</b>	MNS, SAGE, Probe-P
<b>5110319</b>	Research Proton Spectro
<b>5120544</b>	Release 12.0 M4 Apps DVD
<b>5160890</b>	ReportCard on AW
<b>5121550</b>	Tractography on AW
<b>5122363</b>	LAVA
<b>5122364</b>	PFO Evaluation
<b>5122365</b>	PROPELLOR Brain Suite
<b>5122366</b>	Tractography
<b>5122367</b>	2D FatSat FIESTA
<b>5122368</b>	3D Flair
<b>5122370</b>	RealTime FIESTA
<b>5122371</b>	VIBRANT-II
<b>5122372</b>	8 Channel HDx
<b>5122373</b>	16 Channel HDx
<b>5122374</b>	1.5T HDx ScanTools 14.0

**BrainWave OPTIONS:**

<b>2363727</b>	15" LCD Display with 5 foot VGA Cable for Computer connection
<b>2394034-5</b>	(Cedrus) Response Pad Asm. Left & right hand units with two buttons for each hand. Includes fiber optic cable (20 ft) and optical converter box
<b>2394034-6</b>	(Cedrus) "Lumina" response controller box
<b>2394034-7</b>	(Cedrus) AC Power module for Lumina Controller Box
<b>2394034-9</b>	FRU usage only Kit containing all cables [Cedrus-4, -5, -6, -7, 2xxxxxx-6, 46-265505P1 (qty 2)]
<b>2394034-10</b>	Penetration Sub-Panel Asm
<b>2394034-16</b>	PC compatible Keyboard (narrow)
<b>2394034-17</b>	PC compatible Mouse
<b>5160892</b>	BrainWave 2.0 Application Software CD-ROM
<b>5173371-2</b>	PC and Platform Software Asm ( For HDx Only)
<b>5110968</b>	Patch CD for BrainWave Stimulus PC

**REVISION HISTORY****REV/DATE REASON FOR CHANGE**

- 1 Feb 28, 06 Initial release
- 2 Jun 26, 06 Updated gradient cable block kit part #. Added new HDx RF coils with new colors. Updated to ethernet switching hub on OW. Updated ethernet switch part # in 32 Channel cabinet. Added HD NV Array coil & Cardiac Tagging option key and CTL Table Locator FRU kit. Corrected other part numbers as needed.
- 3 Jan 26, 07 Added RF Shield Change Out Kit, Speaker Grill nylon screw, LPCA Wheel Housing FRU kit (MRIhc21559), & Dock pedal FRU parts (MRIhc17629). Corrected Linux 3-button mouse part number. For RFS cabinet, added Term Server cable FRU kit and optional 24 port Ethernet Switch. Added new ASC Module UPM board and RRF Module MUX2 board. Removed Infiniband Switch in 32 Channel cabinet. Removed MCR2 Tool.
- 4 Mar 13, 07 Added front cover laser, 5 gallon coolant pail, and LPCA LED cable. Added note for referring to 2138247 for parts not in this manual. Updated Ethernet cable info. Added center pin to description of Times Microwave right angle connector (CQA 13099582). Removed ECMT kit (CQA 13097585) Added Head Coil Latch Kit. Updated BrainWave s/w asm part # to 5173371.
- 5 Jun 7, 07 Added RF Shield Grounding Kit. Removed erroneous LED cable in LPCA. Updated APS & APG Module parts numbers in MGD to 2294300-16. Corrected part number for Single Coil Surface Coil Adaptor. (CQA 13098155).
- 6 Sep 17, 07 Moved Revision History to last page. Added new Netcom Hybrid Splitter and FRU's, revised existing Teledyne splitter FRU's. Updated HFA-S Asm part # in HFD-S cabinet (ECO 20428110). Added RFS Cabinet with CAM Module and CAM Module board details. Revised MGD & ASC Module part #'s. Added BRM gray insulation foam (PQR 13047306), LPCA bracket, pillar, and screws FRU kit (PQR 13121160) & updated LPCA cover part # (PQR 13083953), added Patient Table bumper and panel FRU kit (PQR 13127363), Grafidy CuSO4 vial (PQR 13098795), Brain Spine accessories, and 8-Channel CTL anterior bridge (PQR 13115149).
- 7 May 28, 08 Changed name of manual to *Signa HDx 1.5T Series FRU's* to reflect the addition of the HDxt & Vibrant products to HDx and HDi program. Added Ground Strap kit part #. Rear Pedestal: Updated Longitudinal Encoder part number (PQR 13175398) and added Encoder board part # 46-226552G2. Added Vibrant specific magnet enclosure cover part #'s. Chiller: Added E&W mobile Heat Exchanger parts (PQR13133952). Added Lytron pump coupler part # (PQR 13136000). HFD-S: Updated FHA Control Bd part #. RFS Cab: Added Sun ICN part # and replacement note. Updated SCP2 Bd part #. Added 5181495-3 MGD P.S. Tools: Added RF Transmit Termination kit. Coils: Added Mirror assembly to Brain Coil (ECR 203882). Options: Updated BrainWave software part #.
- 8 Sep 23, 08 Added HDxt parts to OW, coils, and software sections. Updated Remote Intercom Board part number. Added EMI Filter Asm to Pen Panel (ECO 2060894). Updated PHPS FRU's on Pen Panel (ECO 2040374). Added Linux PC module for 14M5 s/w. Added Sun hard drive FRU. Updated part # for Environmental Repair Kit.
- 9 Jun 15, 09 Added Flexible Coupling (PQR 13206931) and Depopulated 16-CH Switch to Rear Pedestal (ECO 2065359). Updated Filter FRU's on PEN Panel (ECO 2084029). Updated Monitor offerings on OW (ECO 2047560). Also added HP9300 DIMM (ECR 2078642), HP8400 DIMM (ECR 2038518) & DVD-RW (ECR 2059074). In RRF Chassis, added 5250028-2 RF-DIF (ECO 2080729).

CONTINUED ON NEXT PAGE.

**REVISION HISTORY (Continued)****REV/DATE    REASON FOR CHANGE**

- |    |            |  |
|----|------------|--|
| 10 | Nov 3, 09  | Updated OW LCD monitor to 5343103 (ECO 2083909) and added new GOC AA 2395043-2 (ECO 2084000). Added 2294300-22 SCP3 Bd. to CAM and MGD modules (ECO 2064203, MRIhc42663). Added 2294300-23 APS2 bd to CAM (ECO 2064898). Added Unified Surface Coil Phantom Set and added Phantom positioner to Coils section (ECO 2081133).   |
| 11 | Jun 28, 10 | Revised TRM gradient coil to 2144093-9 (ECO 2102049). Added Rear Bridge Plate Cover (ECO 20635630). Added O2 Monitor and MRU (ECO 2076814) and Step-Down Transformer (ECO 2091712). Updated Host Monitor to 5245466. Added HP Z400 computer (ECO 2056587). Added HP8400 altermate replacement (ECO 2101300). Added MDP battery and charger FRU's (ECO 2097255). Added new 16 & 32 channel ICN's (ECO 2101939). |
| 12 | Jan 20, 11 | Removed BrainWave option key, 5110736 (ECO 2109423). Added 2156158-86 S/W collector for 16.0 M3 (DOC0853690). Added S/W collectors for 15.x. Added notes for Z400 computer and 4170 ICN are only compatible for use with 15M4B s/w or higher (MRIhc54664).   |
| 13 | Aug 2, 11  | Changes made to reflect HD 16.0v2 update, ICN end-of-life, and IRF2b & RRF-DIF3 hardware upgrade configurations.   |
| 14 | Dec 5 11   | Changes made to reflect HD23.x update (SPR HCSDM00101291). Revised Blower Box FRUs (PCN 207370, ECO 2123843). Updated PEN panel FRUs (ECR 2113479). Updated HFA Assembly FRU (ECR 2115417)   |